



Radiators 4u

064 Traditional Manual Angled Radiator Valves



Chrome shown.

Connection Size	
Valve to Radiator	1/2" BSPT
Valve to Pipe	15 mm Compression

Allen Key size	
To adjust Lock-Shield	N/A
To fit Coupler to Radiator	13mm
Allen Keys are not included	

Pressure Ratings	
Max Test Pressure	16 Bar
Max Operating Pressure	10 Bar
Max Differential Pressure	1 Bar
Pressure Drop Value (Kvs)	0.59

Kvs value is the metric measure for the flow of a fully opened valve. It is defined as: The volume flow in cubic metres per hour of water at a temperature of between 5° and 40° Celsius with a pressure drop across the valve of 1 bar.

Flow Ratings	
Normal Flow Rate	N/A
Max Flow Rate	1.89m ³ /h

Temperature Ratings	
Max Test Temperature	100°C
Max Operating Temperature	120°C
Temperature Adjustment Range	N/A

Disclaimer	
All dimensions are approximate and for roughing in only. We recommend no work be carried out until the goods arrive. We can take no responsibility for errors in information supplied.	

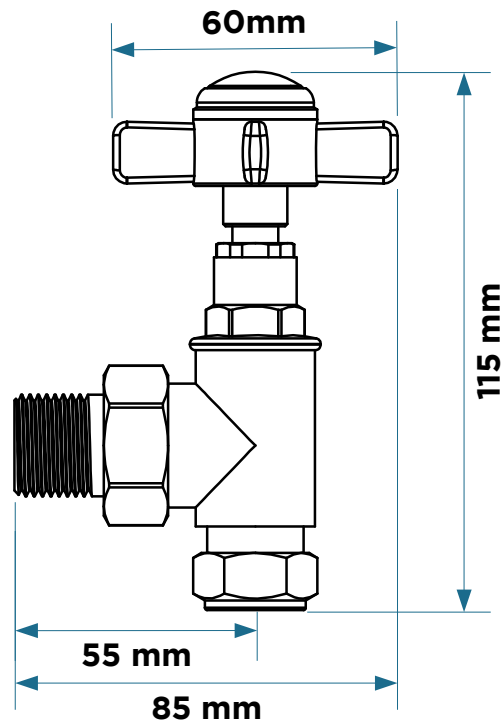
Available Finishes - Lacquered	
Chrome	Brushed (Satin) Nickel
Antique Brass	
These valves all have a highly polished finish except the brushed copper.	

Available Finishes - Un-Lacquered	
Brass	
These valves are Un-Lacquered and designed to look old. They are hand finished and appearance may vary from one valve to the next The Un-Lacquered Brass are highly polished as new but will tarnish and age naturally over time.	



Radiators 4u

064 Traditional Manual Angled Radiator Valves





Radiators 4u

064 Traditional Manual Angled Radiator Valves

Identifying Parts (T-MAN-064-AG-C Shown)

