

RN 869 THE ART DECO 869

Available in two heights the Art Deco range boasts exuberant detail of the roaring 1920s. A decade of indulgence in the new style of Jazz, dance and popular fashion. The Liberty is sure to add a touch of 20s glamour to any space.



Arroll®

THE ART DECO 869

RADIATOR DIMENSIONS

Leg section height:	869mm
Middle section height:	749mm
Section length	80mm
Radiator depth:	222mm

INLET & EXIT

Bottom inlet to floor:	120mm
Top inlet to floor:	817mm
Pipe centres to skirting board:	111mm

HEAT OUTPUT PER SECTION

Delta ΔT 50°C	157Watts / 537BTUs
Delta ΔT 60°C:	198Watts / 678BTUs

RADIATOR WEIGHT

Empty weight per leg section:	14.5Kgs
Empty weight per middle section:	14.5Kgs
Filled weight per leg section:	18Kgs
Filled weight per middle section:	17.5Kgs

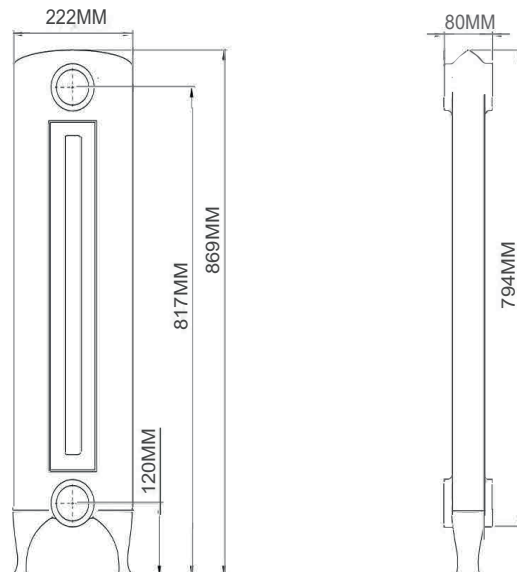
INTERNAL VOLUME

Leg section	3.5L
Middle section	3L

*All measurements and sizes are approximate.

Terms & Conditions

It is the policy of Arroll Limited to allow a 4% +/- tolerance on all measurements and sizes provided. It is not recommended that plumbers fit pipe centres prior to the arrival & inspection of the radiator. Warranty is subject to the installation of the radiator in accordance to the fitting instruction supplied. The Arroll name including its trademark is registered property of Arroll Limited, Belfast.



RN 649 - RN 869 THE ART DECO 649 & 794

RN 649 THE ART DECO 649

Available in two heights the Art Deco range boasts exuberant detail of the roaring 1920s.

A decade of indulgence in the new style of Jazz, dance and popular fashion. The Liberty is sure to add a touch of 20s glamour to any space.



Arroll®

THE ART DECO 649

RADIATOR DIMENSIONS

Leg section height:	649mm
Middle section height:	601mm
Section length	80mm
Radiator depth:	147mm

INLET & EXIT

Bottom inlet to floor:	100mm
Top inlet to floor:	595mm
Pipe centres to skirting board:	73mm

HEAT OUTPUT PER SECTION

Delta ΔT 50°C	88Watts / 300BTUs
Delta ΔT 60°C:	111Watts / 379BTUs

RADIATOR WEIGHT

Empty weight per leg section:	8Kgs
Empty weight per middle section:	7.5Kgs
Filled weight per leg section:	10Kgs
Filled weight per middle section:	9.5Kgs

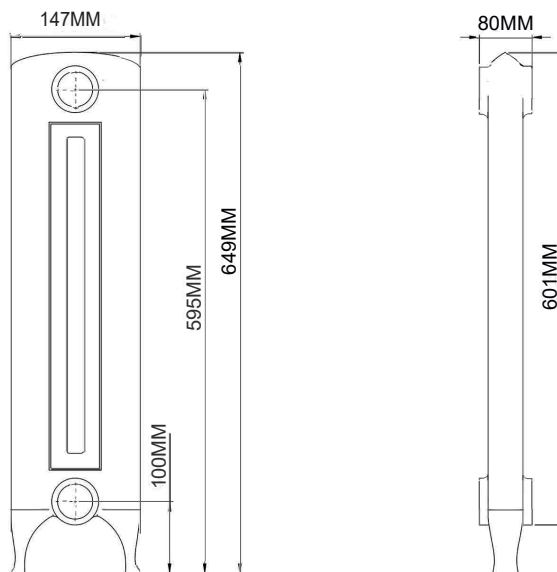
INTERNAL VOLUME

Leg section	2L
Middle section	2L

*All measurements and sizes are approximate.

Terms & Conditions

It is the policy of Arroll Limited to allow a 4% +/- tolerance on all measurements and sizes provided. It is not recommended that plumbers fit pipe centres prior to the arrival & inspection of the radiator. Warranty is subject to the installation of the radiator in accordance to the fitting instruction supplied. The Arroll name including its trademark is registered property of Arroll Limited, Belfast.



RN 649 - RN 869 THE ART DECO 649 & 794