

RE 636/2C THE EDWARDIAN 636
RE 734/2C THE EDWARDIAN 734
RE 1037/2C THE EDWARDIAN 1037

The sister model to Arroll's Edwardian 4 column cast iron radiator. This 2 column variant is available in 3 new heights, It's slim and stylish design is crafted to add subtle elegance with impressive heat output.



Arroll[®]

THE EDWARDIAN 636

RADIATOR DIMENSIONS

Leg section height:	636mm
Middle section height:	580mm
Section length	60mm
Radiator depth:	89mm

INLET & EXIT

Bottom inlet to floor:	94mm
Top inlet to floor:	594mm
Pipe centres to skirting board:	44.5mm

HEAT OUTPUT PER SECTION

Delta ΔT 50°C	62Watts / 212BTUs
Delta ΔT 60°C:	78Watts / 267BTUs

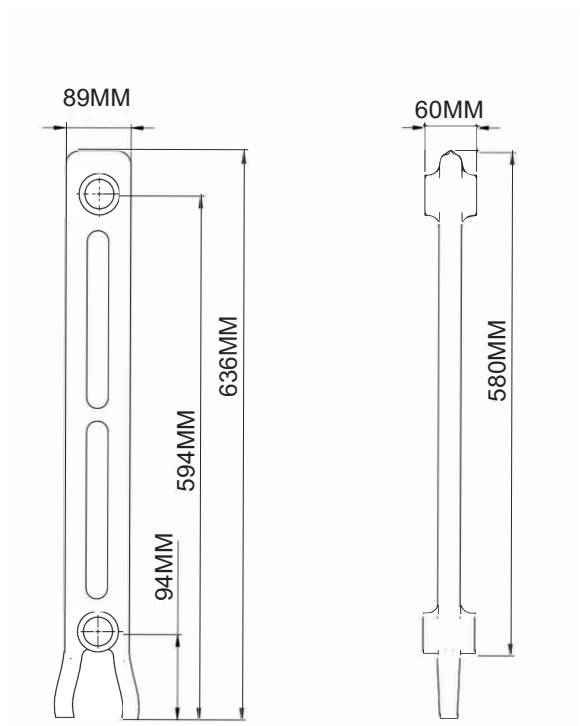
RADIATOR WEIGHT

Empty weight per leg section:	4Kgs
Empty weight per middle section:	4Kgs
Filled weight per leg section:	4.5Kgs
Filled weight per middle section:	4.5Kgs

INTERNAL VOLUME

Leg section	0.5L
Middle section	0.5L

*All measurements and sizes are approximate.



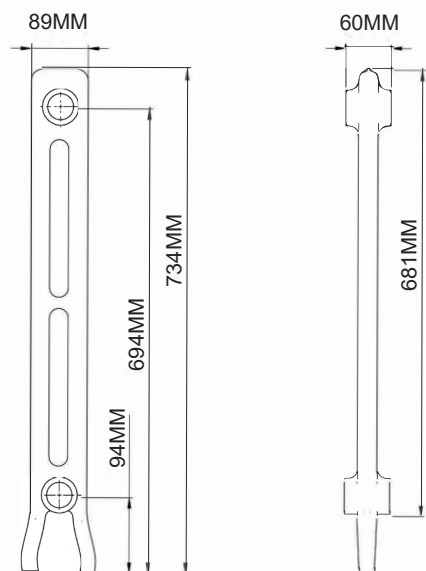
RE 636/2C - RE 734/2C - RE 1037/2C THE EDWARDIAN 636, 734 & 1037

Terms & Conditions

It is the policy of Arroll Limited to allow a 4% +/- tolerance on all measurements and sizes provided. It is not recommended that plumbers fit pipe centres prior to the arrival & inspection of the radiator. Warranty is subject to the installation of the radiator in accordance to the fitting instruction supplied. The Arroll name including its trademark is registered property of Arroll Limited, Belfast.

RE 636/2C THE EDWARDIAN 636
RE 734/2C THE EDWARDIAN 734
RE 1037/2C THE EDWARDIAN 1037

Arroll[®]



THE EDWARDIAN 734

RADIATOR DIMENSIONS

Leg section height:	734mm
Middle section height:	681mm
Section length	60mm
Radiator depth:	89mm

INLET & EXIT

Bottom inlet to floor:	94mm
Top inlet to floor:	649mm
Pipe centres to skirting board:	44.5mm

HEAT OUTPUT PER SECTION

Delta ΔT 50°C	70Watts / 239BTUs
Delta ΔT 60°C:	88Watts / 302BTUs

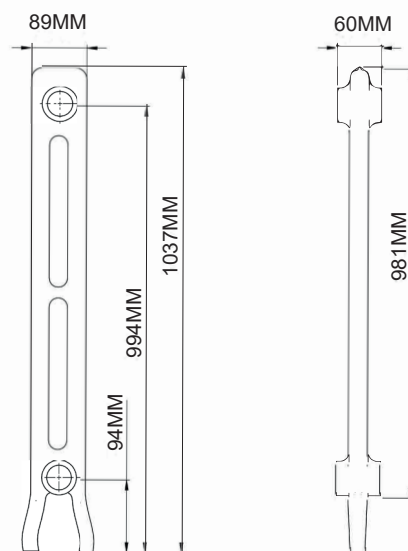
RADIATOR WEIGHT

Empty weight per leg section:	4.5Kgs
Empty weight per middle section:	4.5Kgs
Filled weight per leg section:	5Kgs
Filled weight per middle section:	5Kgs

INTERNAL VOLUME

Leg section	0.5L
Middle section	0.5L

*All measurements and sizes are approximate.



THE EDWARDIAN 1037

RADIATOR DIMENSIONS

Leg section height:	1037mm
Middle section height:	981mm
Section length	60mm
Radiator depth:	89mm

INLET & EXIT

Bottom inlet to floor:	94mm
Top inlet to floor:	994mm
Pipe centres to skirting board:	44.5mm

HEAT OUTPUT PER SECTION

Delta ΔT 50°C	99Watts / 338BTUs
Delta ΔT 60°C:	125Watts / 427BTUs

RADIATOR WEIGHT

Empty weight per leg section:	5.5Kgs
Empty weight per middle section:	5.5Kgs
Filled weight per leg section:	6Kgs
Filled weight per middle section:	6Kgs

INTERNAL VOLUME

Leg section	0.5L
Middle section	0.5L

*All measurements and sizes are approximate.

Terms & Conditions

It is the policy of Arroll Limited to allow a 4% +/- tolerance on all measurements and sizes provided. It is not recommended that plumbers fit pipe centres prior to the arrival & inspection of the radiator. Warranty is subject to the installation of the radiator in accordance to the fitting instruction supplied. The Arroll name including its trademark is registered property of Arroll Limited, Belfast.