

- RE 360/4** THE EDWARDIAN 360
- RE 460/4** THE EDWARDIAN 460
- RE 660/4** THE EDWARDIAN 660
- RE 762/4** THE EDWARDIAN 762
- RE 960/4** THE EDWARDIAN 960

Influenced by 1930's styling with curved top and crisp clean casting lines the Edwardian is a new range that will suite traditional and modern homes.

With 5 available heights this cast iron radiator will fit most places.



Arroll®

RE 360/4C - RE 460/4 - RE 660/4 - RE 762/4 - RE 960/4 THE EDWARDIAN 360, 460, 660, 762 & 960

THE EDWARDIAN 360

RADIATOR DIMENSIONS

Leg section height:	360mm
Middle section height:	300mm
Section length	60mm
Radiator depth:	175mm

INLET & EXIT

Bottom inlet to floor:	120mm
Top inlet to floor:	312mm
Pipe centres to skirting board:	87.5mm

HEAT OUTPUT PER SECTION

Delta ΔT 50°C	43Watts / 147BTUs
Delta ΔT 60°C:	51Watts / 185BTUs

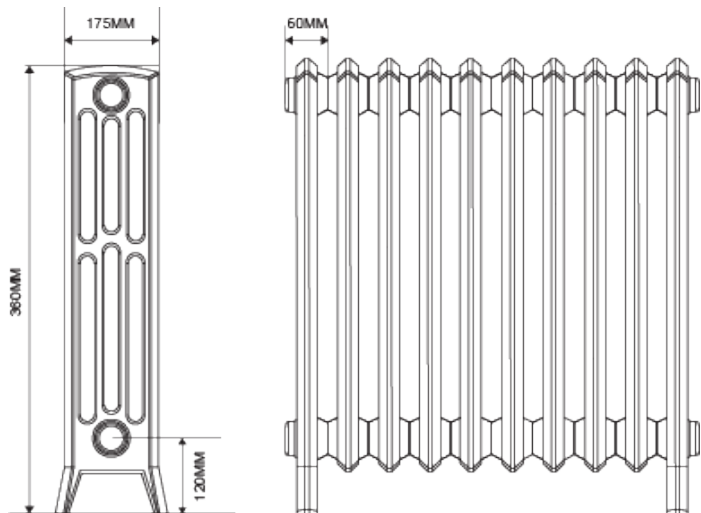
RADIATOR WEIGHT

Empty weight per leg section:	3.81Kgs
Empty weight per middle section:	3.14Kgs
Filled weight per leg section:	4.71Kgs
Filled weight per middle section:	4.14Kgs

INTERNAL VOLUME

Leg section	0.9L
Middle section	1L

*All measurements and sizes are approximate.

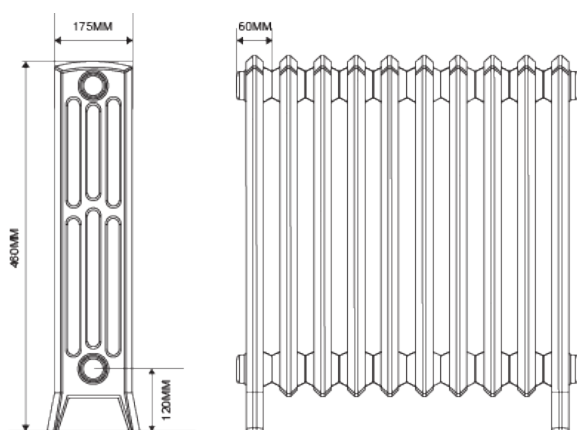


Terms & Conditions

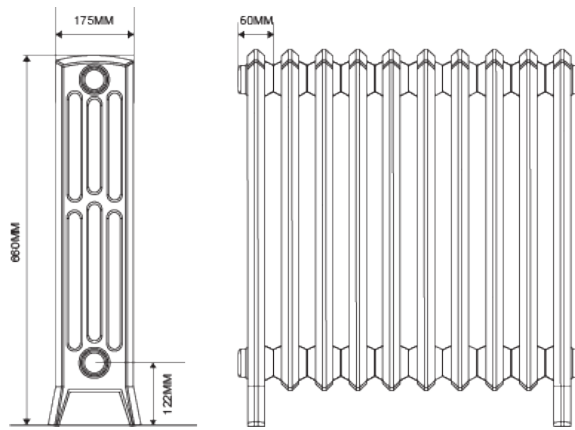
It is the policy of Arroll Limited to allow a 4% +/- tolerance on all measurements and sizes provided. It is not recommended that plumbers fit pipe centres prior to the arrival & inspection of the radiator. Warranty is subject to the installation of the radiator in accordance to the fitting instruction supplied. The Arroll name including its trademark is registered property of Arroll Limited, Belfast.

RE 360/4 THE EDWARDIAN 360
RE 460/4 THE EDWARDIAN 460
RE 660/4 THE EDWARDIAN 660
RE 762/4 THE EDWARDIAN 762
RE 960/4 THE EDWARDIAN 960

Arroll



THE EDWARDIAN 460



THE EDWARDIAN 660

RADIATOR DIMENSIONS

Leg section height:	460mm
Middle section height:	400mm
Section length	60mm
Radiator depth:	175mm

INLET & EXIT

Bottom inlet to floor:	120mm
Top inlet to floor:	415mm
Pipe centres to skirting board:	87.5mm

HEAT OUTPUT PER SECTION

Delta ΔT 50°C:	64Watts / 218BTUs
Delta ΔT 60°C:	80Watts / 275BTUs

RADIATOR WEIGHT

Empty weight per leg section:	4.50Kgs
Empty weight per middle section:	4.3Kgs
Filled weight per leg section:	5.7Kgs
Filled weight per middle section:	5.5Kgs

INTERNAL VOLUME

Leg section	1.2L
Middle section	1.2L

RADIATOR DIMENSIONS

Leg section height:	660mm
Middle section height:	600mm
Section length	60mm
Radiator depth:	175mm

INLET & EXIT

Bottom inlet to floor:	122mm
Top inlet to floor:	615mm
Pipe centres to skirting board:	87.5mm

HEAT OUTPUT PER SECTION

Delta ΔT 50°C:	92Watts / 314BTUs
Delta ΔT 60°C:	116Watts / 396BTUs

RADIATOR WEIGHT

Empty weight per leg section:	5.90Kgs
Empty weight per middle section:	5.15Kgs
Filled weight per leg section:	7.4Kgs
Filled weight per middle section:	6.65Kgs

INTERNAL VOLUME

Leg section	1.5L
Middle section	1.5L

*All measurements and sizes are approximate.

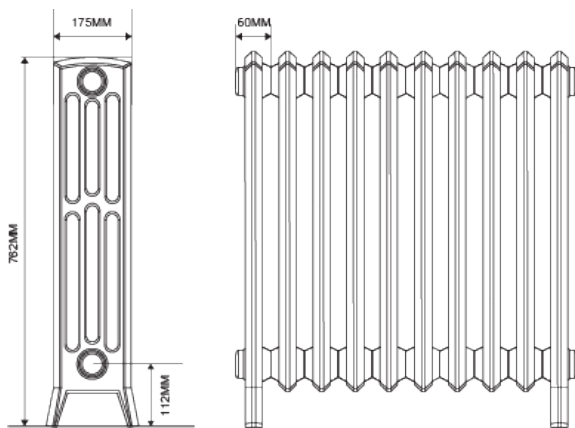
*All measurements and sizes are approximate.

Terms & Conditions

It is the policy of Arroll Limited to allow a 4% +/- tolerance on all measurements and sizes provided. It is not recommended that plumbers fit pipe centres prior to the arrival & inspection of the radiator. Warranty is subject to the installation of the radiator in accordance to the fitting instruction supplied. The Arroll name including its trademark is registered property of Arroll Limited, Belfast.

RE 360/4 THE EDWARDIAN 360
RE 460/4 THE EDWARDIAN 460
RE 660/4 THE EDWARDIAN 660
RE 762/4 THE EDWARDIAN 762
RE 960/4 THE EDWARDIAN 960

Arroll



THE EDWARDIAN 762

RADIATOR DIMENSIONS

Leg section height:	762mm
Middle section height:	710mm
Section length	60mm
Radiator depth:	175mm

INLET & EXIT

Bottom inlet to floor:	112mm
Top inlet to floor:	715mm
Pipe centres to skirting board:	87.5mm

HEAT OUTPUT PER SECTION

Delta ΔT 50°C:	107Watts / 365BTUs
Delta ΔT 60°C:	135Watts / 461BTUs

RADIATOR WEIGHT

Empty weight per leg section:	6.51Kgs
Empty weight per middle section:	6.28Kgs
Filled weight per leg section:	8.21Kgs
Filled weight per middle section:	8Kgs

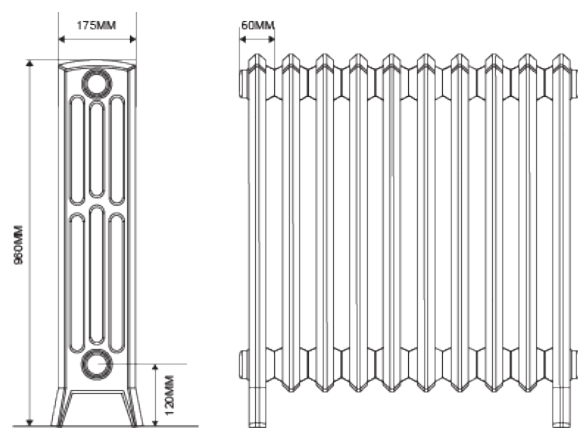
INTERNAL VOLUME

Leg section	1.7L
Middle section	1.7L

*All measurements and sizes are approximate.

Terms & Conditions

It is the policy of Arroll Limited to allow a 4% +/- tolerance on all measurements and sizes provided. It is not recommended that plumbers fit pipe centres prior to the arrival & inspection of the radiator. Warranty is subject to the installation of the radiator in accordance to the fitting instruction supplied. The Arroll name including its trademark is registered property of Arroll Limited, Belfast.



THE EDWARDIAN 960

RADIATOR DIMENSIONS

Leg section height:	960mm
Middle section height:	910mm
Section length	60mm
Radiator depth:	175mm

INLET & EXIT

Bottom inlet to floor:	120mm
Top inlet to floor:	915mm
Pipe centres to skirting board:	87.5mm

HEAT OUTPUT PER SECTION

Delta ΔT 50°C:	137Watts / 467BTUs
Delta ΔT 60°C:	172Watts / 590BTUs

RADIATOR WEIGHT

Empty weight per leg section:	8.6Kgs
Empty weight per middle section:	7.9Kgs
Filled weight per leg section:	10.6Kgs
Filled weight per middle section:	9.9Kgs

INTERNAL VOLUME

Leg section	2L
Middle section	2L

*All measurements and sizes are approximate.

RE 360/4C - RE 460/4 - RE 660/4 - RE 762/4 - RE 960/4 THE EDWARDIAN 360, 460, 660, 762 & 960