

RE 487/6C THE EDWARDIAN 487
RE 662/6C THE EDWARDIAN 662
RE 764/6C THE EDWARDIAN 764
RE 967/6C THE EDWARDIAN 967

The sister model to Arroll's Edwardian 4 column cast iron radiator. This model provides a higher heat output. With 4 available heights to satisfy all areas within the home.



Arroll

THE EDWARDIAN 487

RADIATOR DIMENSIONS

Leg section height:	487mm
Middle section height:	423mm
Section length	60mm
Radiator depth:	254mm

INLET & EXIT

Bottom inlet to floor:	103mm
Top inlet to floor:	458mm
Pipe centres to skirting board:	127mm

HEAT OUTPUT PER SECTION

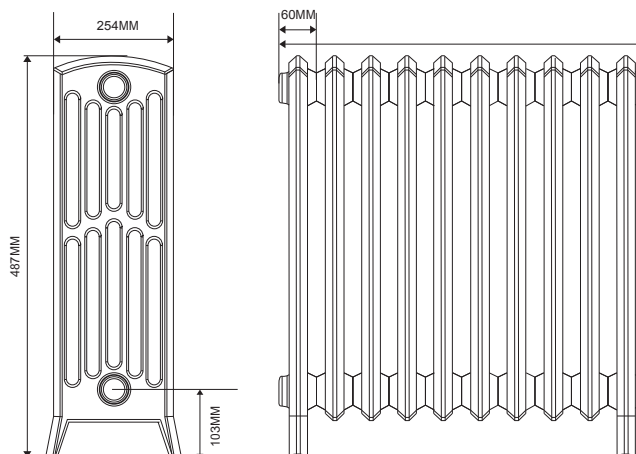
Delta ΔT 50°C:	95Watts / 324BTUs
Delta ΔT 60°C:	119Watts / 409BTUs

RADIATOR WEIGHT

Empty weight per leg section:	7Kgs
Empty weight per middle section:	6Kgs
Filled weight per leg section:	7.5Kgs
Filled weight per middle section:	6.5Kgs

INTERNAL VOLUME

Leg section	0.5L
Middle section	0.5L



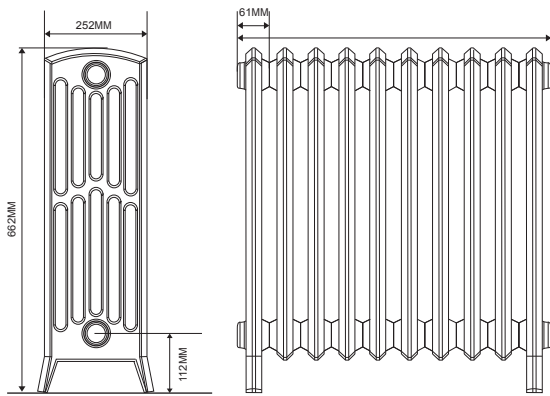
*All measurements and sizes are approximate.

Terms & Conditions

It is the policy of Arroll Limited to allow a 4% +/- tolerance on all measurements and sizes provided. It is not recommended that plumbers fit pipe centres prior to the arrival & inspection of the radiator. Warranty is subject to the installation of the radiator in accordance to the fitting instruction supplied. The Arroll name including its trademark is registered property of Arroll Limited, Belfast.

RE 487/6C THE EDWARDIAN 487
RE 662/6C THE EDWARDIAN 662
RE 764/6C THE EDWARDIAN 764
RE 967/6C THE EDWARDIAN 967

Arroll



THE EDWARDIAN 662

RADIATOR DIMENSIONS

Leg section height:	662mm
Middle section height:	599mm
Section length	61mm
Radiator depth:	252mm

INLET & EXIT

Bottom inlet to floor:	112mm
Top inlet to floor:	612mm
Pipe centres to skirting board:	126mm

HEAT OUTPUT PER SECTION

Delta ΔT 50°C:	127Watts / 433BTUs
Delta ΔT 60°C:	160Watts / 547BTUs

RADIATOR WEIGHT

Empty weight per leg section:	10Kgs
Empty weight per middle section:	9.5Kgs
Filled weight per leg section:	11Kgs
Filled weight per middle section:	10.5Kgs

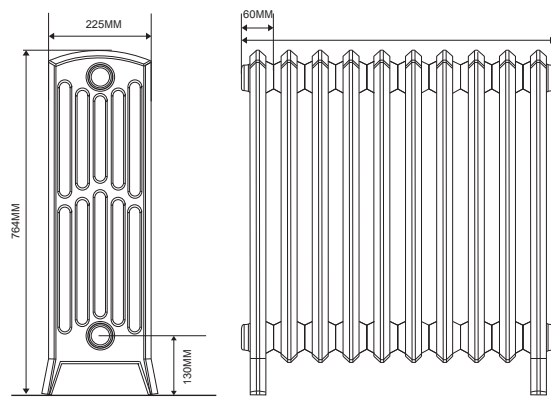
INTERNAL VOLUME

Leg section	1L
Middle section	1L

*All measurements and sizes are approximate.

Terms & Conditions

It is the policy of Arroll Limited to allow a 4% +/- tolerance on all measurements and sizes provided. It is not recommended that plumbers fit pipe centres prior to the arrival & inspection of the radiator. Warranty is subject to the installation of the radiator in accordance to the fitting instruction supplied. The Arroll name including its trademark is registered property of Arroll Limited, Belfast.



THE EDWARDIAN 764

RADIATOR DIMENSIONS

Leg section height:	764mm
Middle section height:	704mm
Section length	60mm
Radiator depth:	225mm

INLET & EXIT

Bottom inlet to floor:	130mm
Top inlet to floor:	734mm
Pipe centres to skirting board:	112.5mm

HEAT OUTPUT PER SECTION

Delta ΔT 50°C:	147Watts / 502BTUs
Delta ΔT 60°C:	185Watts / 634BTUs

RADIATOR WEIGHT

Empty weight per leg section:	9Kgs
Empty weight per middle section:	8Kgs
Filled weight per leg section:	10.5Kgs
Filled weight per middle section:	9.5Kgs

INTERNAL VOLUME

Leg section	1.5L
Middle section	1.5L

*All measurements and sizes are approximate.

RE 487/6 - RE 662/6 - RE 764/6 - RE 967/6 THE EDWARDIAN 487, 662, 764 & 967

RE 487/6C THE EDWARDIAN 487
RE 662/6C THE EDWARDIAN 662
RE 764/6C THE EDWARDIAN 764
RE 967/6C THE EDWARDIAN 967



Arroll

RE 487/6 - RE 662/6 - RE 764/6 - RE 967/6 THE EDWARDIAN 487, 662, 764 & 967

THE EDWARDIAN 967

RADIATOR DIMENSIONS

Leg section height:	967mm
Middle section height:	900mm
Section length	60mm
Radiator depth:	252mm

INLET & EXIT

Bottom inlet to floor:	119mm
Top inlet to floor:	919mm
Pipe centres to skirting board:	126mm

HEAT OUTPUT PER SECTION

Delta ΔT 50°C:	184Watts / 662BTUs
Delta ΔT 60°C:	245Watts / 836BTUs

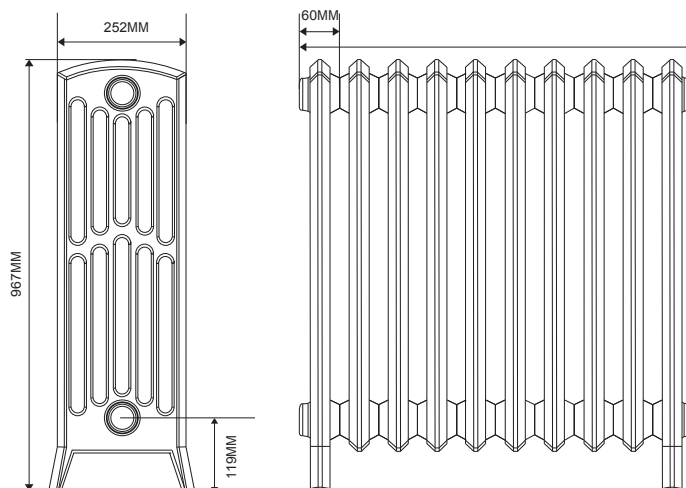
RADIATOR WEIGHT

Empty weight per leg section:	15Kgs
Empty weight per middle section:	14.5Kgs
Filled weight per leg section:	17.1Kgs
Filled weight per middle section:	16.6Kgs

INTERNAL VOLUME

Leg section	2.1L
Middle section	2.1L

*All measurements and sizes are approximate.



Terms & Conditions

It is the policy of Arroll Limited to allow a 4% +/- tolerance on all measurements and sizes provided. It is not recommended that plumbers fit pipe centres prior to the arrival & inspection of the radiator. Warranty is subject to the installation of the radiator in accordance to the fitting instruction supplied. The Arroll name including its trademark is registered property of Arroll Limited, Belfast.