

PRE 508/2 THE PARISIAN 508

PRE 655/2 THE PARISIAN 655

PRE 762/2 THE PARISIAN 762

When it comes to the Parisian, think pure unashamed glamour. The evocative scrolling patterns make it our most distinguished radiator.

Our mould making artisans have painstakingly reproduced this 19th century French radiator using traditional sand casting techniques used by craftsmen of that period.



Arroll[®]

THE PARISIAN 508

RADIATOR DIMENSIONS

Leg section height:	508mm
Middle section height:	447mm
Section length	80mm
Radiator depth:	215mm

INLET & EXIT

Bottom inlet to floor:	113mm
Top inlet to floor:	463mm
Pipe centres to skirting board:	107.5mm

HEAT OUTPUT PER SECTION

Delta ΔT 50°C:	78Watts / 266BTUs
Delta ΔT 60°C:	98Watts / 336BTUs

RADIATOR WEIGHT

Empty weight per leg section:	7.9Kgs
Empty weight per middle section:	6.12Kgs
Filled weight per leg section:	10.2Kgs
Filled weight per middle section:	7.12Kgs

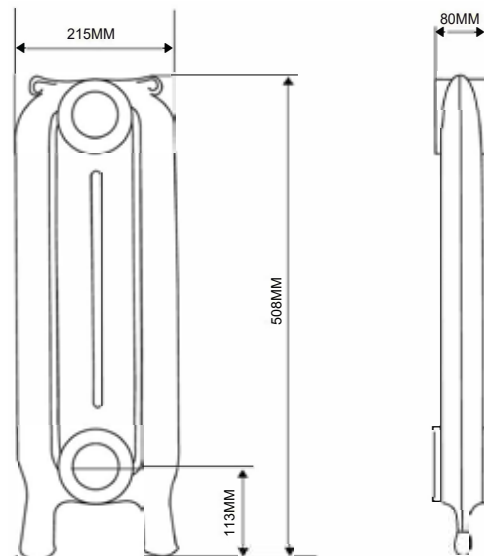
INTERNAL VOLUME

Leg section	1L
Middle section	1L

*All measurements and sizes are approximate.

Terms & Conditions

It is the policy of Arroll Limited to allow a 4% +/- tolerance on all measurements and sizes provided. It is not recommended that plumbers fit pipe centres prior to the arrival & inspection of the radiator. Warranty is subject to the installation of the radiator in accordance to the fitting instruction supplied. The Arroll name including its trademark is registered property of Arroll Limited, Belfast.



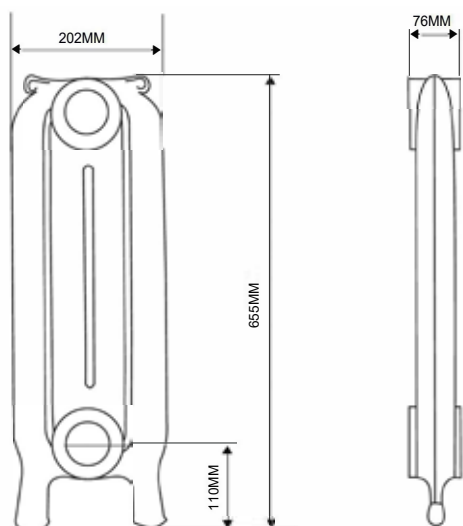
FR 759/2 THE SUNFLOWER 759

PRE 508/2 THE PARISIAN 508

PRE 655/2 THE PARISIAN 655

PRE 762/2 THE PARISIAN 762

Arroll[®]



THE PARISIAN 655

RADIATOR DIMENSIONS

Leg section height:	655mm
Middle section height:	59mm
Section length	76mm
Radiator depth:	202mm

INLET & EXIT

Bottom inlet to floor:	110mm
Top inlet to floor:	610mm
Pipe centres to skirting board:	101mm

HEAT OUTPUT PER SECTION

Delta ΔT 50°C:	100Watts / 341BTUs
Delta ΔT 60°C:	126Watts / 431BTUs

RADIATOR WEIGHT

Empty weight per leg section:	9.90Kgs
Empty weight per middle section:	8.44Kgs
Filled weight per leg section:	12.65Kgs
Filled weight per middle section:	11.19Kgs

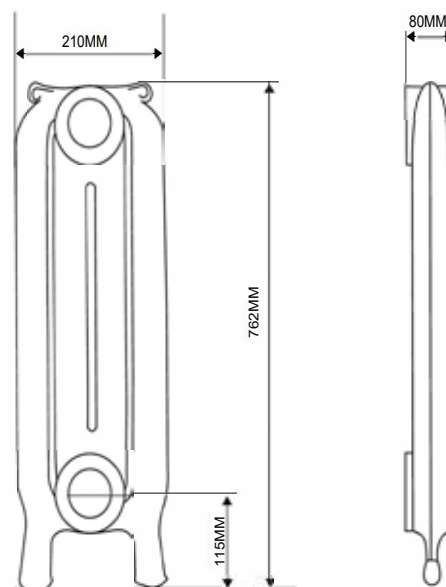
INTERNAL VOLUME

Leg section	2.75L
Middle section	2.75L

*All measurements and sizes are approximate.

Terms & Conditions

It is the policy of Arroll Limited to allow a 4% +/- tolerance on all measurements and sizes provided. It is not recommended that plumbers fit pipe centres prior to the arrival & inspection of the radiator. Warranty is subject to the installation of the radiator in accordance to the fitting instruction supplied. The Arroll name including its trademark is registered property of Arroll Limited, Belfast.



THE PARISIAN 762

RADIATOR DIMENSIONS

Leg section height:	762mm
Middle section height:	705mm
Section length	80mm
Radiator depth:	210mm

INLET & EXIT

Bottom inlet to floor:	115mm
Top inlet to floor:	715mm
Pipe centres to skirting board:	105mm

HEAT OUTPUT PER SECTION

Delta ΔT 50°C:	115Watts / 392BTUs
Delta ΔT 60°C:	145Watts / 495BTUs

RADIATOR WEIGHT

Empty weight per leg section:	10.22Kgs
Empty weight per middle section:	9.05Kgs
Filled weight per leg section:	13.97Kgs
Filled weight per middle section:	12.8Kgs

INTERNAL VOLUME

Leg section	3.75L
Middle section	3.75L

*All measurements and sizes are approximate.

FR 759/2 THE SUNFLOWER 759