

RL 450/1 THE PEERLESS 450
RL 600/1 THE PEERLESS 600
RL 795/1 THE PEERLESS 795

Available in 3 heights the Arroll peerless cast iron radiator is ideal for narrow areas that also need good heat outputs. Its plain design will compliment other Arroll radiators such as the princess.



Arroll[®]

THE PEERLESS 450

RADIATOR DIMENSIONS

Leg section height:	450mm
Middle section height:	395mm
Section length	78mm
Radiator depth:	130mm

INLET & EXIT

Bottom inlet to floor:	116mm
Top inlet to floor:	400mm
Pipe centres to skirting board:	65mm

HEAT OUTPUT PER SECTION

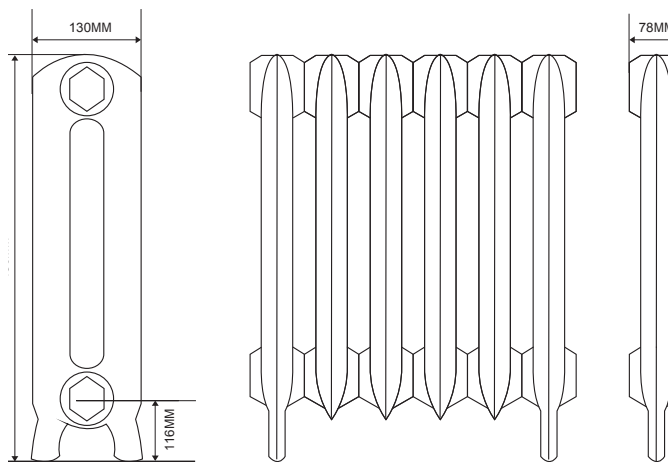
Delta ΔT 50°C:	50Watts / 171BTUs
Delta ΔT 60°C:	63Watts / 216BTUs

RADIATOR WEIGHT

Empty weight per leg section:	5.2Kgs
Empty weight per middle section:	6Kgs
Filled weight per leg section:	7Kgs
Filled weight per middle section:	6.2Kgs

INTERNAL VOLUME

Leg section	1L
Middle section	1L



RL 450/1 - RL 600/1 - RL 795/1 THE PEERLESS - 450, 600 & 795

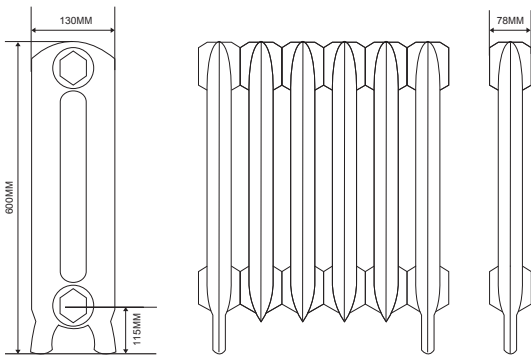
*All measurements and sizes are approximate.

Terms & Conditions

It is the policy of Arroll Limited to allow a 4% +/- tolerance on all measurements and sizes provided. It is not recommended that plumbers fit pipe centres prior to the arrival & inspection of the radiator. Warranty is subject to the installation of the radiator in accordance to the fitting instruction supplied. The Arroll name including its trademark is registered property of Arroll Limited, Belfast.

RL 450/1 THE PEERLESS 450
RL 600/1 THE PEERLESS 600
RL 795/1 THE PEERLESS 795

Arroll[®]



THE PEERLESS 600

RADIATOR DIMENSIONS

Leg section height:	600mm
Middle section height:	544mm
Section length	78mm
Radiator depth:	130mm

INLET & EXIT

Bottom inlet to floor:	115mm
Top inlet to floor:	555mm
Pipe centres to skirting board:	65mm

HEAT OUTPUT PER SECTION

Delta ΔT 50°C:	68Watts / 232BTUs
Delta ΔT 60°C:	85Watts / 293BTUs

RADIATOR WEIGHT

Empty weight per leg section:	7.1Kgs
Empty weight per middle section:	7Kgs
Filled weight per leg section:	8.1Kgs
Filled weight per middle section:	8Kgs

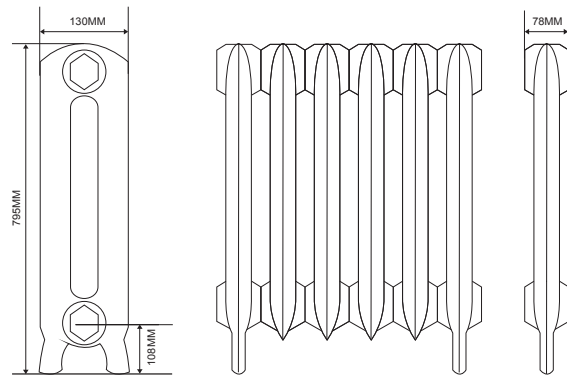
INTERNAL VOLUME

Leg section	1L
Middle section	1L

*All measurements and sizes are approximate.

Terms & Conditions

It is the policy of Arroll Limited to allow a 4% +/- tolerance on all measurements and sizes provided. It is not recommended that plumbers fit pipe centres prior to the arrival & inspection of the radiator. Warranty is subject to the installation of the radiator in accordance to the fitting instruction supplied. The Arroll name including its trademark is registered property of Arroll Limited, Belfast.



THE PEERLESS 795

RADIATOR DIMENSIONS

Leg section height:	795mm
Middle section height:	737mm
Section length	78mm
Radiator depth:	130mm

INLET & EXIT

Bottom inlet to floor:	108mm
Top inlet to floor:	750mm
Pipe centres to skirting board:	65mm

HEAT OUTPUT PER SECTION

Delta ΔT 50°C:	87Watts / 297BTUs
Delta ΔT 60°C:	109Watts / 375BTUs

RADIATOR WEIGHT

Empty weight per leg section:	9Kgs
Empty weight per middle section:	10Kgs
Filled weight per leg section:	10.6Kgs
Filled weight per middle section:	11.6Kgs

INTERNAL VOLUME

Leg section	1.6L
Middle section	1.6L

*All measurements and sizes are approximate.

FR 759/2 THE SUNFLOWER 759