

**RP 549/2** THE PRINCESS 549  
**RP 748/2** THE PRINCESS 748  
**RP 810/2** THE PRINCESS 810

Our Princess radiators are based on a design that was first introduced in 1898 by the Ideal Radiator Company. Well suited to modern and traditional spaces, its rounded contours and smooth casting make it an easy choice for any kind of space.

The Princess can be painted in any colour to create a dramatic effect.



**Arroll**<sup>®</sup>

THE PRINCESS 549

**RADIATOR DIMENSIONS**

Leg section height:	549mm
Middle section height:	494mm
Section length	76mm
Radiator depth:	210mm

**INLET & EXIT**

Bottom inlet to floor:	103mm
Top inlet to floor:	503mm
Pipe centres to skirting board:	105mm

**HEAT OUTPUT PER SECTION**

Delta $\Delta T$ 50°C:	85Watts / 290BTUs
Delta $\Delta T$ 60°C:	107Watts / 366BTUs

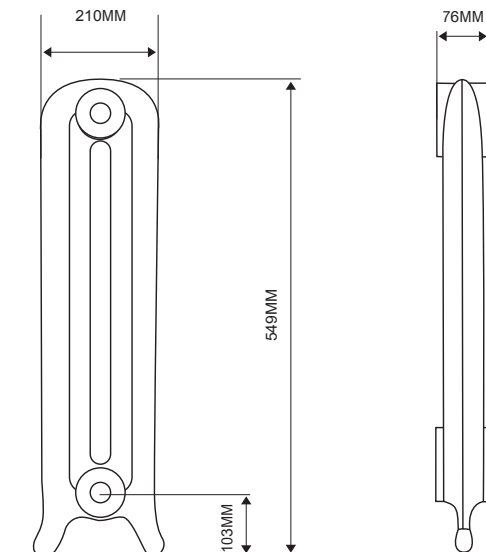
**RADIATOR WEIGHT**

Empty weight per leg section:	9Kgs
Empty weight per middle section:	9Kgs
Filled weight per leg section:	10.5Kgs
Filled weight per middle section:	9.5Kgs

**INTERNAL VOLUME**

Leg section	1.5L
Middle section	0.5L

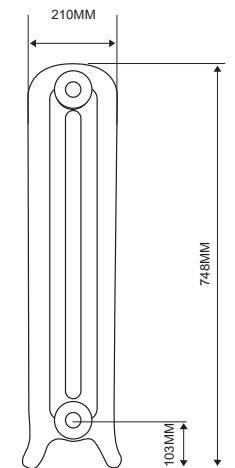
\*All measurements and sizes are approximate.



**Terms & Conditions**  
 It is the policy of Arroll Limited to allow a 4% +/- tolerance on all measurements and sizes provided. It is not recommended that plumbers fit pipe centres prior to the arrival & inspection of the radiator. Warranty is subject to the installation of the radiator in accordance to the fitting instruction supplied. The Arroll name including its trademark is registered property of Arroll Limited, Belfast.

**RP 549/2** THE PRINCESS 549  
**RP 748/2** THE PRINCESS 748  
**RP 810/2** THE PRINCESS 810

**Arroll**<sup>®</sup>



THE PRINCESS 748

**RADIATOR DIMENSIONS**

Leg section height:	748mm
Middle section height:	693mm
Section length	76mm
Radiator depth:	210mm

**INLET & EXIT**

Bottom inlet to floor:	103mm
Top inlet to floor:	700mm
Pipe centres to skirting board:	105mm

**HEAT OUTPUT PER SECTION**

Delta $\Delta T$ 50°C:	111Watts / 378BTUs
Delta $\Delta T$ 60°C:	139Watts / 477BTUs

**RADIATOR WEIGHT**

Empty weight per leg section:	11Kgs
Empty weight per middle section:	9Kgs
Filled weight per leg section:	13Kgs
Filled weight per middle section:	12Kgs

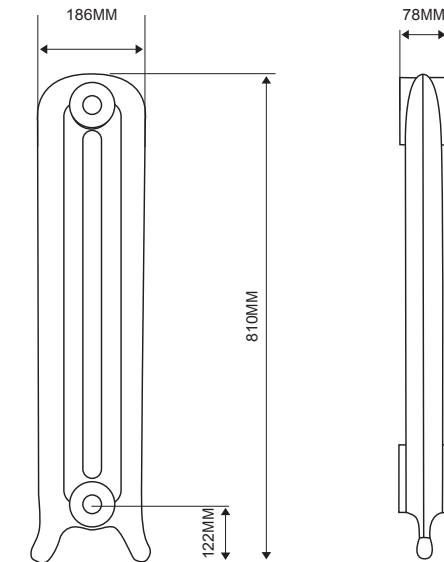
**INTERNAL VOLUME**

Leg section	2L
Middle section	3L

\*All measurements and sizes are approximate.

**Terms & Conditions**

It is the policy of Arroll Limited to allow a 4% +/- tolerance on all measurements and sizes provided. It is not recommended that plumbers fit pipe centres prior to the arrival & inspection of the radiator. Warranty is subject to the installation of the radiator in accordance to the fitting instruction supplied. The Arroll name including its trademark is registered property of Arroll Limited, Belfast.



THE PRINCESS 810

**RADIATOR DIMENSIONS**

Leg section height:	810mm
Middle section height:	730mm
Section length	78mm
Radiator depth:	186mm

**INLET & EXIT**

Bottom inlet to floor:	122mm
Top inlet to floor:	765mm
Pipe centres to skirting board:	93mm

**HEAT OUTPUT PER SECTION**

Delta $\Delta T$ 50°C:	121Watts / 413BTUs
Delta $\Delta T$ 60°C:	152Watts / 522BTUs

**RADIATOR WEIGHT**

Empty weight per leg section:	10.5Kgs
Empty weight per middle section:	9.5Kgs
Filled weight per leg section:	13.5Kgs
Filled weight per middle section:	12.5Kgs

**INTERNAL VOLUME**

Leg section	3L
Middle section	3L

\*All measurements and sizes are approximate.

RP 549/2 - RP 748/2 - RP 810/2 THE PRINCESS 549, 748 & 810