

PRB 470/3c THE ROCOCO 470

PRB 765/3c THE ROCOCO 765

PRB 960/3c THE ROCOCO 960

Beautifully embossed and scrolled the Rococo 3 column cast iron radiator comes in 3 heights. This radiator model will also compliment Arrolls Parisian and Montmartre cast iron radiator.



Arroll[®]

THE ROCOCO 470

RADIATOR DIMENSIONS

Leg section height:	470mm
Middle section height:	411mm
Section length	78mm
Radiator depth:	251mm

INLET & EXIT

Bottom inlet to floor:	108mm
Top inlet to floor:	412mm
Pipe centres to skirting board:	125.5mm

HEAT OUTPUT PER SECTION

Delta ΔT 50°C	95Watts / 324BTUs
Delta ΔT 60°C:	119Watts / 409BTUs

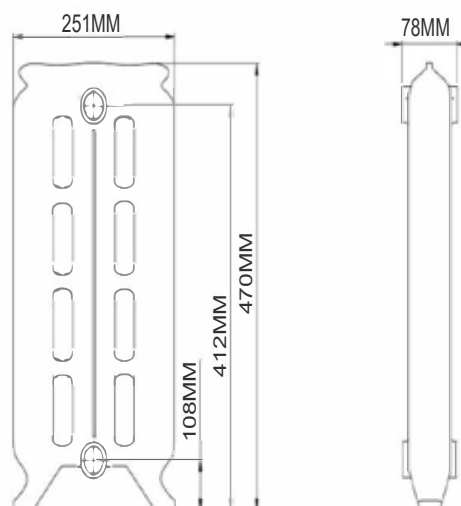
RADIATOR WEIGHT

Empty weight per leg section:	9Kgs
Empty weight per middle section:	8Kgs
Filled weight per leg section:	10Kgs
Filled weight per middle section:	9Kgs

INTERNAL VOLUME

Leg section	1L
Middle section	1L

*All measurements and sizes are approximate.



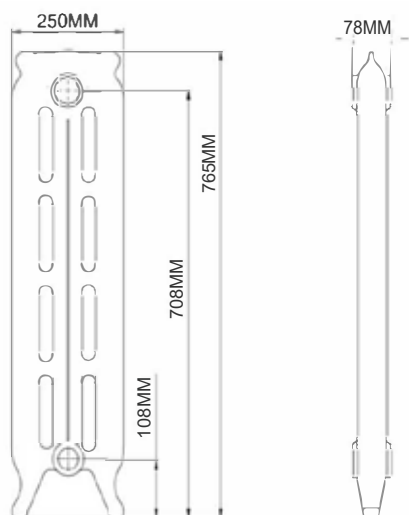
PRB 470/3c - PRB 765/3c - PRB 960/3c THE ROCOCO 470, 765 & 960

Terms & Conditions

It is the policy of Arroll Limited to allow a 4% +/- tolerance on all measurements and sizes provided. It is not recommended that plumbers fit pipe centres prior to the arrival & inspection of the radiator. Warranty is subject to the installation of the radiator in accordance to the fitting instruction supplied. The Arroll name including its trademark is registered property of Arroll Limited, Belfast.

PRB 470/3c THE ROCOCO 470
PRB 765/3c THE ROCOCO 765
PRB 960/3c THE ROCOCO 960

Arroll[®]



THE ROCOCO 765

RADIATOR DIMENSIONS

Leg section height:	765mm
Middle section height:	707mm
Section length	78mm
Radiator depth:	251mm

INLET & EXIT

Bottom inlet to floor:	108mm
Top inlet to floor:	708mm
Pipe centres to skirting board:	125.5mm

HEAT OUTPUT PER SECTION

Delta ΔT 50°C	187Watts / 638BTUs
Delta ΔT 60°C:	236Watts / 806BTUs

RADIATOR WEIGHT

Empty weight per leg section:	13.5Kgs
Empty weight per middle section:	12.5Kgs
Filled weight per leg section:	16Kgs
Filled weight per middle section:	15Kgs

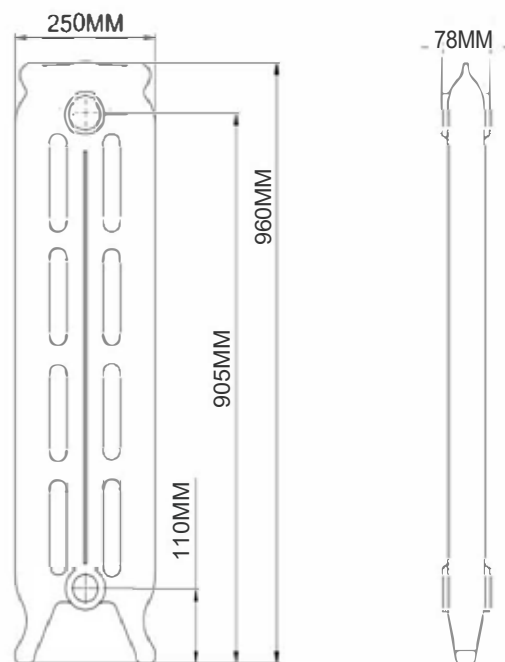
INTERNAL VOLUME

Leg section	2.5L
Middle section	2.5L

*All measurements and sizes are approximate.

Terms & Conditions

It is the policy of Arroll Limited to allow a 4% +/- tolerance on all measurements and sizes provided. It is not recommended that plumbers fit pipe centres prior to the arrival & inspection of the radiator. Warranty is subject to the installation of the radiator in accordance to the fitting instruction supplied. The Arroll name including its trademark is registered property of Arroll Limited, Belfast.



THE ROCOCO 960

RADIATOR DIMENSIONS

Leg section height:	960mm
Middle section height:	900mm
Section length	78mm
Radiator depth:	250mm

INLET & EXIT

Bottom inlet to floor:	110mm
Top inlet to floor:	905mm
Pipe centres to skirting board:	125mm

HEAT OUTPUT PER SECTION

Delta ΔT 50°C	219Watts / 747BTUs
Delta ΔT 60°C:	276Watts / 944BTUs

RADIATOR WEIGHT

Empty weight per leg section:	16.5Kgs
Empty weight per middle section:	16Kgs
Filled weight per leg section:	20.5Kgs
Filled weight per middle section:	20Kgs

INTERNAL VOLUME

Leg section	4L
Middle section	4L

*All measurements and sizes are approximate.

PRB 470/3c - PRB 765/3c - PRB 958/3c THE ROCOCO 470, 765 & 960