

RV 460/4 THE VICTORIAN 460
RV 757/4 THE VICTORIAN 757

Instantly recognisable, we've created the Victorian 4 column radiator by taking a mould of an original Ideal Standard Radiator from the National Radiator Company.

Unlike the Neo-Classic style, the Victorian has a flat foot on each leg section that helps to prevent damage to floor coverings in the home by spreading its weight more evenly.



Arroll[®]

THE VICTORIAN 460

RADIATOR DIMENSIONS

Leg section height:	460mm
Middle section height:	382mm
Section length	60mm
Radiator depth:	144mm

INLET & EXIT

Bottom inlet to floor:	116mm
Top inlet to floor:	416mm
Pipe centres to skirting board:	72.5mm

HEAT OUTPUT PER SECTION

Delta ΔT 50°C:	57.3Watts / 196BTUs
Delta ΔT 60°C:	73Watts / 247BTUs

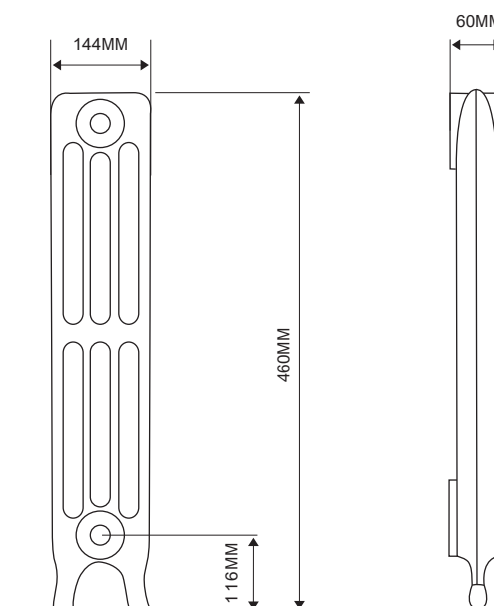
RADIATOR WEIGHT

Empty weight per leg section:	3.81Kgs
Empty weight per middle section:	3.24Kgs
Filled weight per leg section:	4.91Kgs
Filled weight per middle section:	4.34Kgs

INTERNAL VOLUME

Leg section	1.1L
Middle section	1.1L

*All measurements and sizes are approximate.



RV-460-4C / RV-757-4C THE VICTORIAN 460 & 757

Terms & Conditions

It is the policy of Arroll Limited to allow a 4% +/- tolerance on all measurements and sizes provided. It is not recommended that plumbers fit pipe centres prior to the arrival & inspection of the radiator. Warranty is subject to the installation of the radiator in accordance to the fitting instruction supplied. The Arroll name including its trademark is registered property of Arroll Limited, Belfast.

RV 460/4 THE VICTORIAN 460
RV 757/4 THE VICTORIAN 757



Arroll[®]

THE VICTORIAN 757

RADIATOR DIMENSIONS

Leg section height:	757mm
Middle section height:	682mm
Section length	60mm
Radiator depth:	145mm

INLET & EXIT

Bottom inlet to floor:	116mm
Top inlet to floor:	716mm
Pipe centres to skirting board:	72.5mm

HEAT OUTPUT PER SECTION

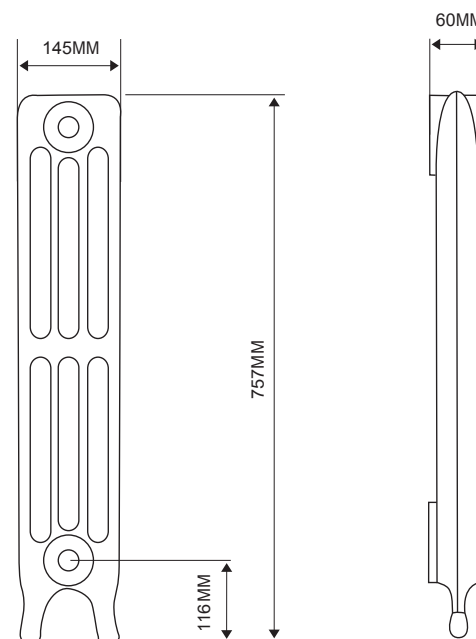
Delta ΔT 50°C:	91.6Watts / 313BTUs
Delta ΔT 60°C:	115Watts / 395BTUs

RADIATOR WEIGHT

Empty weight per leg section:	5.97Kgs
Empty weight per middle section:	5.64Kgs
Filled weight per leg section:	7.37Kgs
Filled weight per middle section:	7.4Kgs

INTERNAL VOLUME

Leg section	1.4L
Middle section	1.4L



*All measurements and sizes are approximate.

Terms & Conditions

It is the policy of Arroll Limited to allow a 4% +/- tolerance on all measurements and sizes provided. It is not recommended that plumbers fit pipe centres prior to the arrival & inspection of the radiator. Warranty is subject to the installation of the radiator in accordance to the fitting instruction supplied. The Arroll name including its trademark is registered property of Arroll Limited, Belfast.