



Left
Hand Burnished



Parchment White
Height 670mm

The Churchill

Dating from the 1880's, this style was originally used in Government Buildings. Featuring a superb BTU output per section, this radiator is ideally suited for heating larger rooms.



Satin Black
Height 975mm



Ancient Breeze
Height 975mm



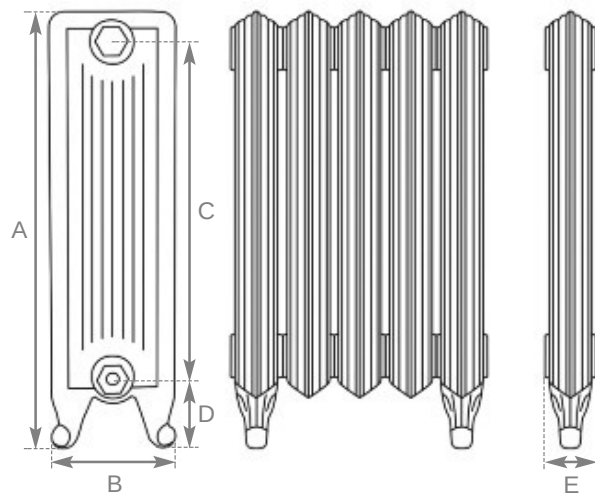
Buttermilk
Height 670mm



Willow Green
Height 670mm



Above
Hand Burnished



Code	No. of Columns	Section Height (A)	Section Width (B)	Section Height (C)	Section Height (D)	Section Width (E)	Delta 50 BTU's	Delta 50 Watts	Delta 60 BTU's	Delta 60 Watts	Weight (Kg) Empty	Weight (Kg) Filled
LD080/081	1	670mm	195mm	500mm	115mm	76mm	431	126	532	156	14.9	17.3
LD082/083	1	975mm	195mm	790mm	140mm	80mm	591	173	755	221	24.6	28.5