

Victorian Clearance Radiators

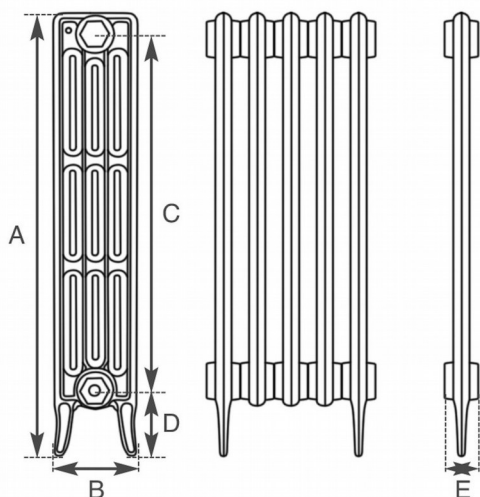
660mm High

Cast Iron
Radiators
4U

This range is competitively priced and available as soon as next day. Next working day delivery is free if ordered by 11am, on grey primer finishes. We also offer three popular paint finishes (satin black, graphite grey and foundry grey) which pushes delivery out by two days.

Delivery - we can offer next working day delivery to almost the whole of the mainland UK, but if you live in a more remote location, please contact us and we can advise on how quickly we can deliver. Due to the size and weight of the radiators, they are delivered on a pallet, with a kerbside service, so you will need more than one person to remove them safely from the pallet and into your property. See our guide to taking delivery of cast iron radiators. Next day and clearance stock is supplied with a full 1 year manufacturers warranty. You can buy online or call one of our radiators experts, who'll be very happy to help and advise you in your purchase of a cast iron radiator and any accessories you may require.

Showroom - You are welcome to visit our radiator showroom in Portsmouth and view these products.



Section Height (A) 660 mm
Section Width (B) 140 mm
Section Height (C) 500 mm
Section Height (D) 115 mm
Section Width (E) 61 mm



4 Colours
Available



Code	Sections	Width (mm)	Heat Output				Dry Weight (Kg)	Water Content (Litres)	Wet Weight (Kg)
			At Delta T 50		At Delta T 60				
			BTUs	Watts	BTUs	Watts			
CA-CLR-V4-660-10	10	644	2610	770	3300	970	56.0	9.0	65.0
CA-CLR-V4-660-14	14	888	3654	1078	4620	1358	78.4	12.6	91.0
CA-CLR-V4-660-16	16	1010	4176	1232	5280	1552	89.6	14.4	104.0
CA-CLR-V4-660-19	19	1193	4959	1463	6270	1843	106.4	17.1	123.5

Lengths quoted are overall including bush ends and are given in good faith. However, due to the nature of the manufacturing process tolerances can and should be expected. Quoted dimensions should therefore only be used as a guideline.

W. www.castironradiators4u.co.uk T. 023 9316 2168 E. st@radiators4u.co.uk