

Victorian Clearance Radiators

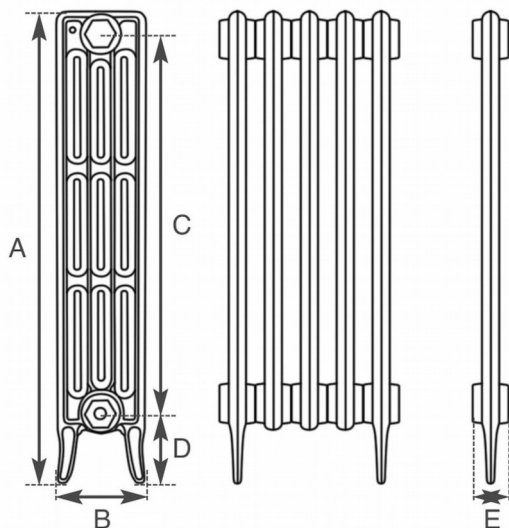
810mm High

Cast Iron
Radiators
4u

This range is competitively priced and available as soon as next day. Next working day delivery is free if ordered by 11am, on grey primer finishes. We also offer three popular paint finishes (satin black, graphite grey and foundry grey) which pushes delivery out by two days.

Delivery - we can offer next working day delivery to almost the whole of the mainland UK, but if you live in a more remote location, please contact us and we can advise on how quickly we can deliver. Due to the size and weight of the radiators, they are delivered on a pallet, with a kerbside service, so you will need more than one person to remove them safely from the pallet and into your property. See our guide to taking delivery of cast iron radiators. Next day and clearance stock is supplied with a full 1 year manufacturers warranty. You can buy online or call one of our radiator experts, who'll be very happy to help and advise you in your purchase of a cast iron radiator and any accessories you may require.

Showroom - You are welcome to visit our radiator showroom in Portsmouth and view these products.



Section Height (A) 810 mm
Section Width (B) 160 mm
Section Height (C) 640 mm
Section Height (D) 120 mm
Section Width (E) 61 mm



Code	Sections	Width (mm)	Heat Output				Dry Weight (Kg)	Water Content (Litres)	Wet Weight (Kg)
			At Delta T 50		At Delta T 60				
			BTUs	Watts	BTUs	Watts			
CA-CLR-V4-810-10	10	644	3550	1040	4510	1320	80.0	12.0	92.0
CA-CLR-V4-810-14	14	888	4970	1456	6314	1848	112.0	16.8	128.8
CA-CLR-V4-810-16	16	1010	5680	1664	7216	2112	128.0	19.2	147.2
CA-CLR-V4-810-19	19	1193	6745	1976	8569	2508	152.0	22.8	174.8

Lengths quoted are overall including bush ends and are given in good faith. However, due to the nature of the manufacturing process tolerances can and should be expected. Quoted dimensions should therefore only be used as a guideline.

W. www.castironradiators4u.co.uk T. 023 9316 2168 E. st@radiators4u.co.uk