

Chester Cast Iron

660mm High

Specialist UK Manufacturer of Cast Iron Radiators

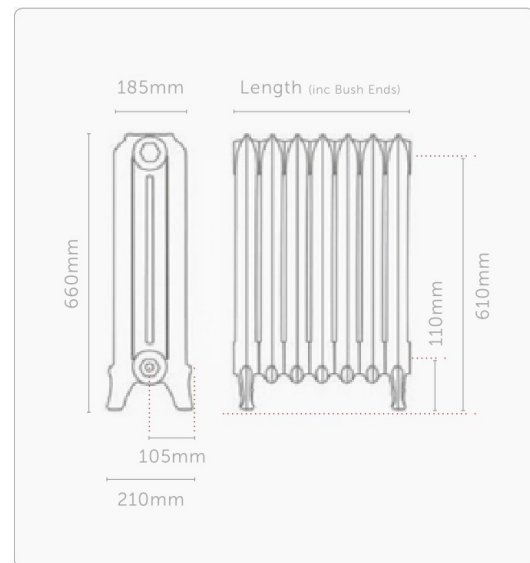
Cast Iron
Radiators
4u

Our Chester cast iron radiator range is beautiful and stunning depicting graceful flowing Celtic ribbons intertwined with leaves and crowned with scrolls. Originally manufactured by the American Radiator Company, circa 1880, this magnificent cast iron radiator is often found in old churches due to its distinctive design.

The Chester cast iron radiator has been carefully recreated to accentuate every tiny detail. This eye-catching cast iron radiator with a Celtic ribbon intertwined with leaves delicately flowing down its length is superb. The Chester radiator will look wonderful if the highlight or antiqued paint effect is chosen. Our Chester radiator has a fantastic heat output per section and is also available in 460mm and 760mm high.



Code	Sections	Width (mm)	Heat Output				Dry Weight Kg	Water Content (Litres)	Wet Weight Kg
			At Delta T 50		At Delta T 60				
			BTUs	Watts	BTUs	Watts			
CI-CH660-03	3	247	1065	312	1346	395	28.3	7.1	35.4
CI-CH660-04	4	318	1420	416	1795	526	37.7	9.4	47.1
CI-CH660-05	5	389	1775	520	2244	658	47.1	11.8	58.9
CI-CH660-06	6	460	2130	624	2692	789	56.5	14.1	70.6
CI-CH660-07	7	531	2485	728	3141	921	65.9	16.5	82.4
CI-CH660-08	8	602	2840	832	3590	1052	75.4	18.8	94.2
CI-CH660-09	9	673	3195	936	4038	1184	84.8	21.2	106
CI-CH660-10	10	744	3550	1040	4487	1315	94.2	23.5	117.7
CI-CH660-11	11	815	3905	1144	4936	1447	103.6	25.9	129.5
CI-CH660-12	12	886	4260	1248	5385	1578	113	28.2	141.2
CI-CH660-13	13	957	4615	1352	5833	1710	122.5	30.6	153.1
CI-CH660-14	14	1028	4970	1456	6282	1841	131.9	32.9	164.8
CI-CH660-15	15	1099	5325	1560	6731	1973	141.3	35.3	176.6
CI-CH660-16	16	1170	5680	1663	7180	2104	150.7	37.6	188.3
CI-CH660-17	17	1241	6035	1767	7628	2236	160.1	40	200.1
CI-CH660-18	18	1312	6390	1871	8077	2367	169.6	42.3	211.9
CI-CH660-19	19	1383	6745	1975	8526	2499	179	44.7	223.7
CI-CH660-20	20	1454	7100	2079	8974	2630	188.4	47	235.4
CI-CH660-21	21	1525	7455	2183	9423	2762	197.8	49.4	247.2
CI-CH660-22	22	1596	7810	2287	9872	2893	207.2	51.7	258.9
CI-CH660-23	23	1667	8165	2391	10321	3025	216.7	54.1	270.8
CI-CH660-24	24	1738	8520	2495	10769	3156	226.1	56.4	282.5
CI-CH660-25	25	1809	8875	2599	11218	3288	235.5	58.8	294.3
CI-CH660-26	26	1880	9230	2703	11667	3419	244.9	61.1	306
CI-CH660-27	27	1951	9585	2807	12115	3551	254.3	63.5	317.8
CI-CH660-28	28	2022	9940	2911	12564	3682	263.8	65.8	329.6
CI-CH660-29	29	2093	10295	3015	13013	3814	273.2	68.2	341.4
CI-CH660-30	30	2164	10650	3119	13462	3945	282.6	70.5	353.1



Lengths quoted are overall including bush ends and are given in good faith. However, due to the nature of the manufacturing process tolerances can and should be expected. Quoted dimensions should therefore only be used as a guideline.