

# Cromwell Cast Iron

## 580mm High

### Specialist UK Manufacturer of Cast Iron Radiators

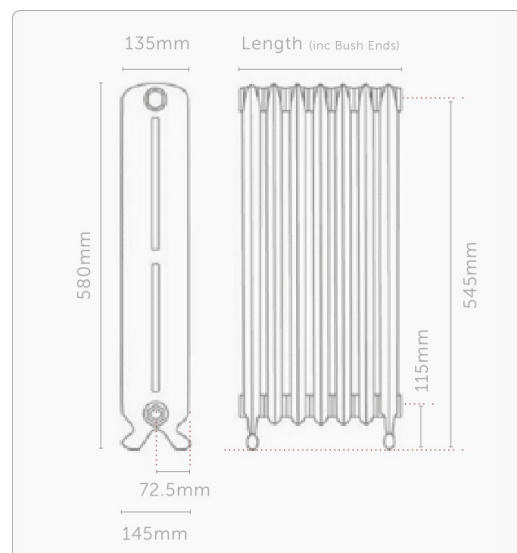


The Cromwell cast iron radiator is an elegant and stylish ornate cast iron radiator echoing a bygone era and a popular choice for the traditional refurbishment, new build, barn or warehouse conversion. Our Cromwell radiator fits well within the contemporary or period home. The Cromwell cast iron radiator is a free standing radiator, beautifully etched with a scroll-like design which flows throughout its length.

If you are looking for a striking living room, hallway or kitchen radiator the Cromwell radiator offers that old cast iron radiator look with real style. Custom finished in a polished or antiqued paint effect the Cromwell cast iron range looks fantastic as these finishes will accentuate the beautiful scrolling detail depicted on this cast iron radiator. Cromwell is also available in 750mm high or with a magnificent etched crown at 780mm high.



Code	Sections	Width (mm)	Heat Output				Dry Weight Kg	Water Content (Litres)	Wet Weight Kg
			At Delta T 50		At Delta T 60				
			BTUs	Watts	BTUs	Watts			
CI-CR580-03	3	247	894	262	1130	331	17	3.6	20.6
CI-CR580-04	4	318	1192	349	1507	441	23	4.8	27.8
CI-CR580-05	5	389	1490	437	1883	552	29	6	35
CI-CR580-06	6	460	1788	524	2260	662	34	7.2	41.2
CI-CR580-07	7	531	2086	611	2637	772	40	8.4	48.4
CI-CR580-08	8	602	2384	699	3013	884	46	9.6	55.6
CI-CR580-09	9	673	2682	786	3390	994	51	10.8	61.8
CI-CR580-10	10	744	2980	873	3767	1103	57	12	69
CI-CR580-11	11	815	3278	961	4143	1215	63	13.2	76.2
CI-CR580-12	12	886	3576	1048	4520	1325	68	14.4	82.4
CI-CR580-13	13	957	3874	1135	4897	1435	74	15.6	89.6
CI-CR580-14	14	1028	4172	1223	5273	1546	80	16.8	96.8
CI-CR580-15	15	1099	4470	1310	5650	1656	86	18	104
CI-CR580-16	16	1170	4768	1397	6027	1766	91	19.2	110.2
CI-CR580-17	17	1241	5066	1485	6403	1877	97	20.4	117.4
CI-CR580-18	18	1312	5364	1572	6780	1987	103	21.6	124.6
CI-CR580-19	19	1383	5662	1659	7157	2097	108	22.8	130.8
CI-CR580-20	20	1454	5960	1747	7533	2208	114	24	138
CI-CR580-21	21	1525	6258	1834	7910	2318	120	25.2	145.2
CI-CR580-22	22	1596	6556	1921	8287	2428	125	26.4	151.4
CI-CR580-23	23	1667	6854	2009	8663	2539	131	27.6	158.6
CI-CR580-24	24	1738	7152	2096	9040	2649	137	28.8	165.8
CI-CR580-25	25	1809	7450	2183	9417	2759	143	30	173
CI-CR580-26	26	1880	7748	2271	9793	2871	148	31.2	179.2
CI-CR580-27	27	1951	8046	2358	10170	2981	154	32.4	186.4
CI-CR580-28	28	2022	8344	2445	10547	3090	160	33.6	193.6
CI-CR580-29	29	2093	8642	2533	10923	3202	165	34.8	199.8
CI-CR580-30	30	2164	8940	2620	11300	3312	171	36	207
CI-CR580-31	31	2235	9238	2708	11677	3423	177	37.2	214.2
CI-CR580-32	32	2306	9536	2795	12054	3533	182	38.4	220.4
CI-CR580-33	33	2377	9834	2882	12430	3643	188	39.6	227.6
CI-CR580-34	34	2448	10132	2970	12807	3754	194	40.8	234.8
CI-CR580-35	35	2519	10430	3057	13184	3864	200	42	242
CI-CR580-36	36	2590	10728	3144	13560	3974	205	43.2	248.2
CI-CR580-37	37	2661	11026	3232	13937	4085	211	44.4	255.4
CI-CR580-38	38	2732	11324	3319	14314	4195	217	45.6	262.6
CI-CR580-39	39	2803	11622	3406	14690	4305	222	46.8	268.8
CI-CR580-40	40	2874	11920	3494	15067	4416	228	48	276



Lengths quoted are overall including bush ends and are given in good faith. However, due to the nature of the manufacturing process tolerances can and should be expected. Quoted dimensions should therefore only be used as a guideline.