

Cromwell Regal Cast Iron

780mm High (With Crown)

Specialist UK Manufacturer of Cast Iron Radiators

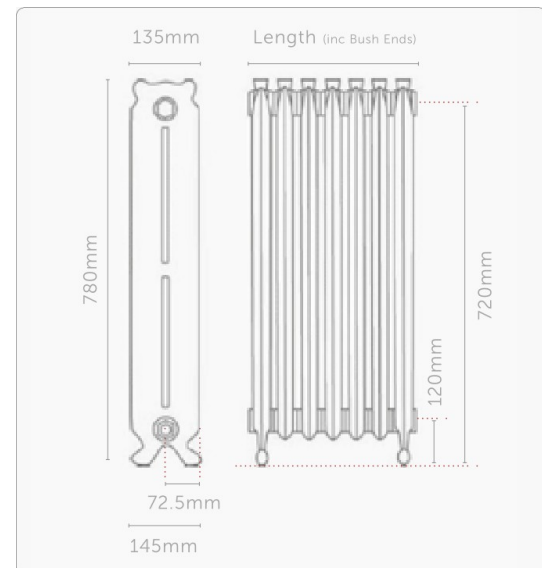
Cast Iron Radiators
4U

The Cromwell cast iron radiator is an elegant and stylish ornate cast iron radiator echoing a bygone era and a popular choice for the traditional refurbishment, new build, barn or warehouse conversion. Our Cromwell radiator fits well within the contemporary or period home. The Cromwell cast iron radiator is a free standing radiator, beautifully etched with a scroll like design which flows throughout its length.

If you are looking for a striking living room, hallway or kitchen radiator the Cromwell radiator offers that old cast iron radiator look with real style. Custom finished in a polished or antiqued paint effect the Cromwell cast iron range looks fantastic as these finishes will accentuate the beautiful scrolling detail depicted on this cast iron radiator.



Code	Sections	Width (mm)	Heat Output				Dry Weight Kg	Water Content (Litres)	Wet Weight Kg
			At Delta T 50		At Delta T 60				
			BTUs	Watts	BTUs	Watts			
CI-CR780-03	3	247	1190	349	1504	441	22	4.5	26.5
CI-CR780-04	4	318	1586	465	2005	588	29	6	35
CI-CR780-05	5	389	1983	581	2507	734	36	7.5	43.5
CI-CR780-06	6	460	2379	697	3007	881	44	9	53
CI-CR780-07	7	531	2776	814	3509	1029	51	10.5	61.5
CI-CR780-08	8	602	3172	930	4009	1176	58	12	70
CI-CR780-09	9	673	3569	1046	4511	1322	65	13.5	78.5
CI-CR780-10	10	744	3965	1162	5012	1469	73	15	88
CI-CR780-11	11	815	4362	1278	5514	1615	80	16.5	96.5
CI-CR780-12	12	886	4758	1394	6014	1762	87	18	105
CI-CR780-13	13	957	5155	1511	6516	1910	94	19.5	113.5
CI-CR780-14	14	1028	5551	1627	7016	2057	102	21	123
CI-CR780-15	15	1099	5948	1743	7518	2203	109	22.5	131.5
CI-CR780-16	16	1170	6344	1859	8019	2350	116	24	140
CI-CR780-17	17	1241	6741	1976	8521	2498	123	25.5	148.5
CI-CR780-18	18	1312	7137	2092	9021	2644	131	27	158
CI-CR780-19	19	1383	7534	2208	9523	2791	138	28.5	166.5
CI-CR780-20	20	1454	7930	2324	10024	2938	145	30	175
CI-CR780-21	21	1525	8327	2441	10525	3085	153	31.5	184.5
CI-CR780-22	22	1596	8723	2557	11026	3232	160	33	193
CI-CR780-23	23	1667	9120	2673	11528	3379	167	34.5	201.5
CI-CR780-24	24	1738	9516	2789	12028	3525	174	36	210
CI-CR780-25	25	1809	9913	2905	12530	3672	182	37.5	219.5
CI-CR780-26	26	1880	10309	3021	13031	3819	189	39	228
CI-CR780-27	27	1951	10706	3138	13532	3966	196	40.5	236.5
CI-CR780-28	28	2022	11102	3254	14033	4113	203	42	245
CI-CR780-29	29	2093	11499	3370	14535	4260	211	43.5	254.5
CI-CR780-30	30	2164	11895	3486	15035	4406	218	45	263
CI-CR780-31	31	2235	12292	3603	15537	4554	225	46.5	271.5
CI-CR780-32	32	2306	12688	3719	16038	4701	232	48	280
CI-CR780-33	33	2377	13085	3835	16539	4847	240	49.5	289.5
CI-CR780-34	34	2448	13481	3951	17040	4994	247	51	298
CI-CR780-35	35	2519	13878	4067	17542	5141	254	52.5	306.5
CI-CR780-36	36	2590	14274	4183	18042	5287	261	54	315
CI-CR780-37	37	2661	14671	4300	18544	5435	269	55.5	324.5
CI-CR780-38	38	2732	15067	4416	19045	5582	276	57	333
CI-CR780-39	39	2803	15464	4532	19546	5728	283	58.5	341.5
CI-CR780-40	40	2874	15860	4648	20047	5875	290	60	350



Lengths quoted are overall including bush ends and are given in good faith. However, due to the nature of the manufacturing process tolerances can and should be expected. Quoted dimensions should therefore only be used as a guideline.