

Georgian 2

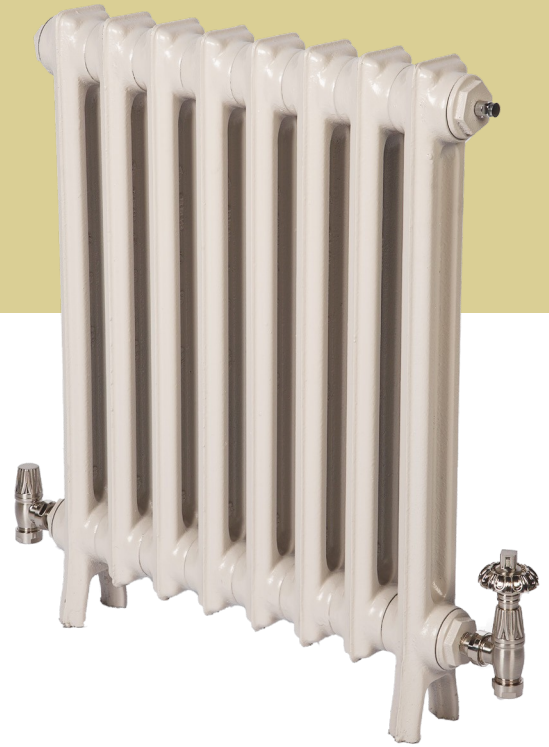
640mm High

Specialist UK Manufacturer of Cast Iron Radiators

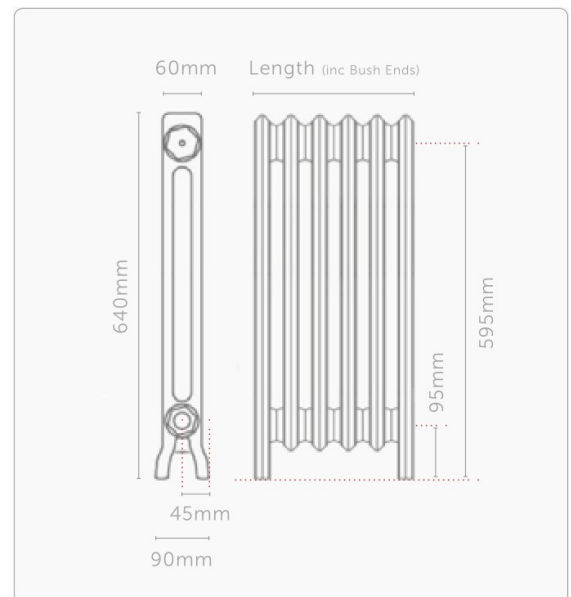


Our Georgian 2 column slim cast iron radiators are a slimline traditional Arts and Crafts design offering a versatile choice that is perfect for the wall hung cast iron radiator and when space is at a premium.

The choice of heights within the Georgian 2 column slimline range provides plenty of alternatives for low window spaces and attic rooms as well as the larger, taller wall hung radiators required for hallways and large reception rooms. These classic Georgian 2 column slim cast iron radiators are all only 90mm in depth and are also available in 490mm, 740mm, and 1040mm High.



Code	Sections	Width (mm)	Heat Output				Dry Weight Kg	Water Content (Litres)	Wet Weight Kg
			At Delta T 50		At Delta T 60				
			BTUs	Watts	BTUs	Watts			
CI-NE640-2-03	3	208	471	138	595	174	10.2	1.4	11.7
CI-NE640-2-04	4	269	628	184	794	233	13.6	1.9	15.6
CI-NE640-2-05	5	330	785	230	992	291	17.1	2.4	19.5
CI-NE640-2-06	6	391	942	276	1191	349	20.5	2.9	23.3
CI-NE640-2-07	7	452	1099	322	1389	407	23.9	3.4	27.2
CI-NE640-2-08	8	512	1256	368	1588	465	27.3	3.8	31.1
CI-NE640-2-09	9	573	1413	414	1786	523	30.7	4.3	35.0
CI-NE640-2-10	10	634	1570	460	1984	581	34.1	4.8	38.9
CI-NE640-2-11	11	695	1726	506	2182	640	37.5	5.3	42.8
CI-NE640-2-12	12	756	1883	552	2380	698	40.9	5.8	46.7
CI-NE640-2-13	13	816	2040	598	2579	756	44.3	6.2	50.6
CI-NE640-2-14	14	877	2197	644	2777	814	47.7	6.7	54.5
CI-NE640-2-15	15	938	2354	690	2975	872	51.2	7.2	58.4
CI-NE640-2-16	16	999	2511	736	3174	930	54.6	7.7	62.2
CI-NE640-2-17	17	1060	2668	782	3372	988	58.0	8.2	66.1
CI-NE640-2-18	18	1120	2825	828	3571	1047	61.4	8.6	70.0
CI-NE640-2-19	19	1181	2982	874	3769	1105	64.8	9.1	73.9
CI-NE640-2-20	20	1242	3139	920	3968	1163	68.2	9.6	77.8
CI-NE640-2-21	21	1303	3296	966	4166	1221	71.6	10.1	81.7
CI-NE640-2-22	22	1364	3453	1012	4365	1279	75.0	10.6	85.6
CI-NE640-2-23	23	1424	3610	1058	4563	1337	78.4	11.0	89.5
CI-NE640-2-24	24	1485	3767	1104	4761	1395	81.8	11.5	93.4
CI-NE640-2-25	25	1546	3924	1150	4960	1454	85.3	12.0	97.3
CI-NE640-2-26	26	1607	4081	1196	5158	1512	88.7	12.5	101.1
CI-NE640-2-27	27	1668	4238	1242	5357	1570	92.1	13.0	105.0
CI-NE640-2-28	28	1728	4395	1288	5555	1628	95.5	13.4	108.9
CI-NE640-2-29	29	1789	4552	1334	5754	1686	98.9	13.9	112.8
CI-NE640-2-30	30	1850	4709	1380	5952	1744	102.3	14.4	116.7
CI-NE640-2-31	31	1911	4866	1426	6151	1803	105.7	14.9	120.6
CI-NE640-2-32	32	1972	5022	1472	6348	1860	109.1	15.4	124.5
CI-NE640-2-33	33	2032	5179	1518	6546	1919	112.5	15.8	128.4
CI-NE640-2-34	34	2093	5336	1564	6745	1977	115.9	16.3	132.3
CI-NE640-2-35	35	2154	5493	1610	6943	2035	119.4	16.8	136.2
CI-NE640-2-36	36	2215	5650	1656	7142	2093	122.8	17.3	140.0
CI-NE640-2-37	37	2276	5807	1702	7340	2151	126.2	17.8	143.9
CI-NE640-2-38	38	2336	5964	1748	7538	2209	129.6	18.2	147.8
CI-NE640-2-39	39	2397	6121	1794	7737	2268	133.0	18.7	151.7
CI-NE640-2-40	40	2458	6278	1840	7935	2326	136.4	19.2	155.6



Lengths quoted are overall including bush ends and are given in good faith. However, due to the nature of the manufacturing process tolerances can and should be expected. Quoted dimensions should therefore only be used as a guideline.