

Georgian 4

360mm High

Specialist UK Manufacturer of Cast Iron Radiators

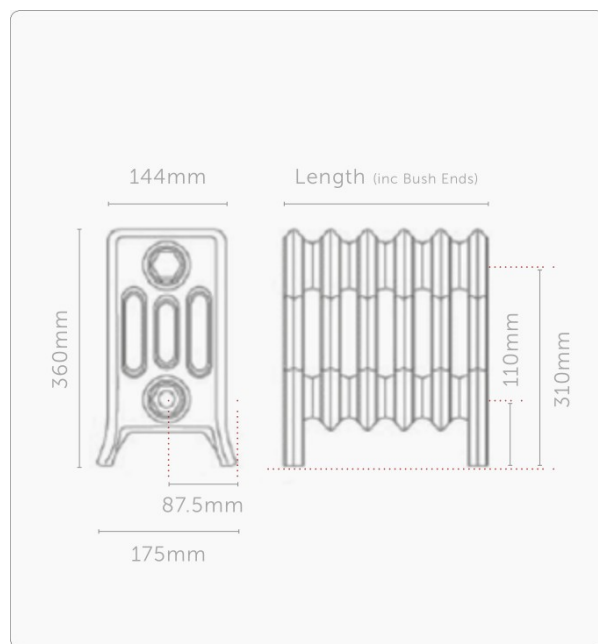
Cast Iron Radiators
4u

Our Georgian 4 column cast iron radiators are a traditional Arts and Crafts design offering a versatile choice of heights ranging from the short 360mm Georgian radiator to the elegantly tall 960mm high Georgian radiator.

This choice of heights provides plenty of alternatives for low window spaces and attic rooms as well as larger taller radiators required for hallways and large reception rooms. These classic Georgian 4-column cast iron radiators are all 175mm in depth and are also available in 475mm, 660mm, 760mm and 960mm High.



Code	Sections	Width (mm)	Heat Output				Dry Weight Kg	Water Content (Litres)	Wet Weight Kg
			At Delta T 50		At Delta T 60				
			BTUs	Watts	BTUs	Watts			
CI-NE360-4-03	3	208	440	129	556	163	10.3	1.1	11.4
CI-NE360-4-04	4	269	587	172	742	217	13.8	1.4	15.2
CI-NE360-4-05	5	330	734	215	928	272	17.2	1.8	19.0
CI-NE360-4-06	6	391	880	258	1112	326	20.6	2.1	22.7
CI-NE360-4-07	7	452	1027	301	1298	380	24.1	2.5	26.5
CI-NE360-4-08	8	512	1174	344	1484	435	27.5	2.8	30.3
CI-NE360-4-09	9	573	1320	387	1668	489	31.0	3.2	34.1
CI-NE360-4-10	10	634	1467	430	1854	543	34.4	3.5	37.9
CI-NE360-4-11	11	695	1614	473	2040	598	37.8	3.9	41.7
CI-NE360-4-12	12	756	1761	516	2226	652	41.3	4.2	45.5
CI-NE360-4-13	13	816	1907	559	2410	706	44.7	4.6	49.3
CI-NE360-4-14	14	877	2054	602	2596	761	48.2	4.9	53.1
CI-NE360-4-15	15	938	2201	645	2782	815	51.6	5.3	56.9
CI-NE360-4-16	16	999	2347	688	2967	870	55.0	5.6	60.6
CI-NE360-4-17	17	1060	2494	731	3152	924	58.5	6.0	64.4
CI-NE360-4-18	18	1120	2641	774	3338	978	61.9	6.3	68.2
CI-NE360-4-19	19	1181	2788	817	3524	1033	65.4	6.7	72.0
CI-NE360-4-20	20	1242	2934	860	3709	1087	68.8	7.0	75.8
CI-NE360-4-21	21	1303	3081	903	3894	1141	72.2	7.4	79.6
CI-NE360-4-22	22	1364	3228	946	4080	1196	75.7	7.7	83.4
CI-NE360-4-23	23	1424	3374	989	4265	1250	79.1	8.1	87.2
CI-NE360-4-24	24	1485	3521	1032	4451	1305	82.6	8.4	91.0
CI-NE360-4-25	25	1546	3668	1075	4636	1359	86.0	8.8	94.8
CI-NE360-4-26	26	1607	3815	1118	4822	1413	89.4	9.1	98.5
CI-NE360-4-27	27	1668	3961	1161	5007	1467	92.9	9.5	102.3
CI-NE360-4-28	28	1728	4108	1204	5193	1522	96.3	9.8	106.1
CI-NE360-4-29	29	1789	4255	1247	5378	1576	99.8	10.2	109.9
CI-NE360-4-30	30	1850	4401	1290	5563	1630	103.2	10.5	113.7
CI-NE360-4-31	31	1911	4548	1333	5749	1685	106.6	10.9	117.5
CI-NE360-4-32	32	1972	4695	1376	5934	1739	110.1	11.2	121.3
CI-NE360-4-33	33	2032	4842	1419	6120	1794	113.5	11.6	125.1
CI-NE360-4-34	34	2093	4988	1462	6305	1848	117.0	11.9	128.9
CI-NE360-4-35	35	2154	5135	1505	6491	1902	120.4	12.3	132.7
CI-NE360-4-36	36	2215	5282	1548	6676	1957	123.8	12.6	136.4
CI-NE360-4-37	37	2276	5428	1591	6861	2011	127.3	13.0	140.2
CI-NE360-4-38	38	2336	5575	1634	7047	2065	130.7	13.3	144.0
CI-NE360-4-39	39	2397	5722	1677	7233	2120	134.2	13.7	147.8
CI-NE360-4-40	40	2458	5869	1720	7418	2174	137.6	14.0	151.6



Lengths quoted are overall including bush ends and are given in good faith. However, due to the nature of the manufacturing process tolerances can and should be expected. Quoted dimensions should therefore only be used as a guideline.