

Georgian 4 475mm High

Specialist UK Manufacturer of Cast Iron Radiators

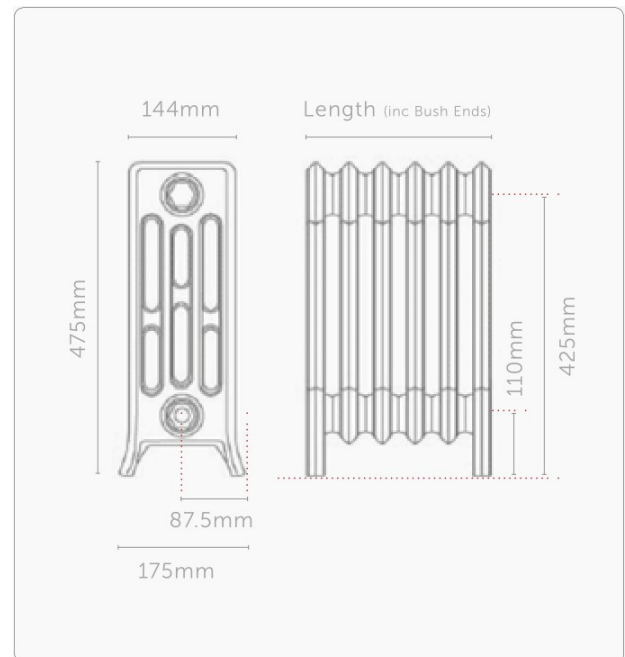
Cast Iron
Radiators
4U

Our Georgian 4 column cast iron radiators are a traditional Arts and Crafts design offering a versatile choice of heights ranging from the short 360mm Georgian radiator to the elegantly tall 960mm high Georgian radiator.

This choice of heights provides plenty of alternatives for low window spaces and attic rooms as well as larger taller radiators required for hallways and large reception rooms. These classic Georgian 4-column cast iron radiators are all 175mm in depth and are also available in 360mm, 660mm, 760mm and 960mm High.



Code	Sections	Width (mm)	Heat Output				Dry Weight Kg	Water Content (Litres)	Wet Weight Kg
			At Delta T 50		At Delta T 60				
			BTUs	Watts	BTUs	Watts			
CI-NE475-4-03	3	208	665	195	841	246	12.6	1.5	14.1
CI-NE475-4-04	4	269	887	260	1121	329	16.8	2.0	18.8
CI-NE475-4-05	5	330	1109	325	1402	411	21.0	2.6	23.5
CI-NE475-4-06	6	391	1331	390	1682	493	25.1	3.1	28.2
CI-NE475-4-07	7	452	1552	455	1962	575	29.3	3.6	32.9
CI-NE475-4-08	8	512	1774	520	2242	657	33.5	4.1	37.6
CI-NE475-4-09	9	573	1996	585	2523	739	37.7	4.6	42.3
CI-NE475-4-10	10	634	2218	650	2804	822	41.9	5.1	47.0
CI-NE475-4-11	11	695	2440	715	3084	904	46.1	5.6	51.7
CI-NE475-4-12	12	756	2661	780	3364	986	50.3	6.1	56.4
CI-NE475-4-13	13	816	2883	845	3644	1068	54.5	6.6	61.1
CI-NE475-4-14	14	877	3105	910	3925	1150	58.7	7.1	65.8
CI-NE475-4-15	15	938	3327	975	4205	1232	62.9	7.7	70.5
CI-NE475-4-16	16	999	3548	1040	4485	1314	67.0	8.2	75.2
CI-NE475-4-17	17	1060	3770	1105	4765	1397	71.2	8.7	79.9
CI-NE475-4-18	18	1120	3992	1170	5046	1479	75.4	9.2	84.6
CI-NE475-4-19	19	1181	4214	1235	5326	1561	79.6	9.7	89.3
CI-NE475-4-20	20	1242	4436	1300	5607	1643	83.8	10.2	94.0
CI-NE475-4-21	21	1303	4657	1365	5886	1725	88.0	10.7	98.7
CI-NE475-4-22	22	1364	4879	1430	6167	1807	92.2	11.2	103.4
CI-NE475-4-23	23	1424	5101	1495	6448	1890	96.4	11.7	108.1
CI-NE475-4-24	24	1485	5323	1560	6728	1972	100.6	12.2	112.8
CI-NE475-4-25	25	1546	5545	1625	7009	2054	104.8	12.8	117.5
CI-NE475-4-26	26	1607	5766	1690	7288	2136	108.9	13.3	122.2
CI-NE475-4-27	27	1668	5988	1755	7569	2218	113.1	13.8	126.9
CI-NE475-4-28	28	1728	6210	1820	7849	2300	117.3	14.3	131.6
CI-NE475-4-29	29	1789	6432	1885	8130	2383	121.5	14.8	136.3
CI-NE475-4-30	30	1850	6653	1950	8409	2465	125.7	15.3	141.0
CI-NE475-4-31	31	1911	6875	2015	8690	2547	129.9	15.8	145.7
CI-NE475-4-32	32	1972	7097	2080	8971	2629	134.1	16.3	150.4
CI-NE475-4-33	33	2032	7319	2145	9251	2711	138.3	16.8	155.1
CI-NE475-4-34	34	2093	7541	2210	9532	2794	142.5	17.3	159.8
CI-NE475-4-35	35	2154	7762	2275	9811	2875	146.7	17.9	164.5
CI-NE475-4-36	36	2215	7984	2340	10092	2958	150.8	18.4	169.2
CI-NE475-4-37	37	2276	8206	2405	10372	3040	155.0	18.9	173.9
CI-NE475-4-38	38	2336	8428	2470	10653	3122	159.2	19.4	178.6
CI-NE475-4-39	39	2397	8649	2535	10932	3204	163.4	19.9	183.3
CI-NE475-4-40	40	2458	8871	2600	11213	3286	167.6	20.4	188.0



Lengths quoted are overall including bush ends and are given in good faith. However, due to the nature of the manufacturing process tolerances can and should be expected. Quoted dimensions should therefore only be used as a guideline.

W. www.castironradiators4u.co.uk T. 023 9316 2168 E. st@radiators4u.co.uk