

# Georgian 4

## 660mm High

Specialist UK Manufacturer of Cast Iron Radiators

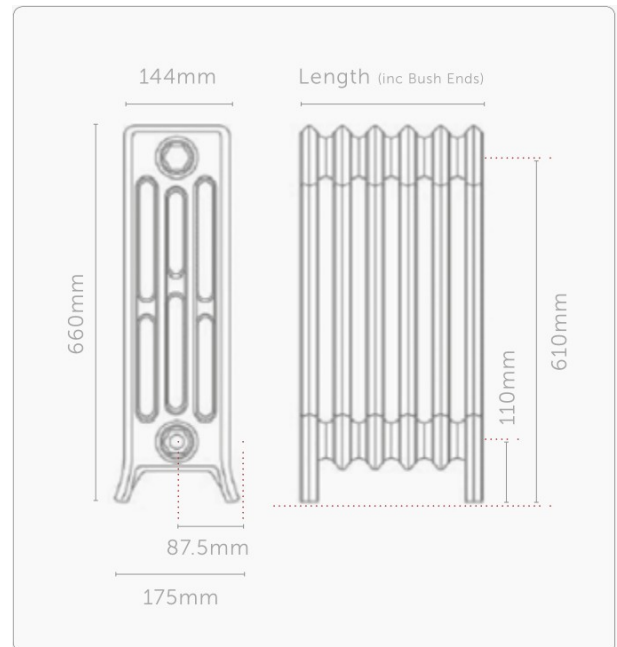


Our Georgian 4 column cast iron radiators are a traditional Arts and Crafts design offering a versatile choice of heights ranging from the short 360mm height Georgian radiator to the elegantly tall 960mm high Georgian radiator.

This choice of heights provides plenty of alternatives for low window spaces and attic rooms as well larger taller radiators required for hallways and large reception rooms. These classic Georgian 4 column cast iron radiators are all 175mm in depth and are also available in 360mm, 475mm, 760mm and 960mm High.



Code	Sections	Width (mm)	Heat Output				Dry Weight Kg	Water Content (Litres)	Wet Weight Kg
			At Delta T 50		At Delta T 60				
			BTUs	Watts	BTUs	Watts			
CI-NE660-4-03	3	208	952	279	1203	353	16.7	2.6	19.2
CI-NE660-4-04	4	269	1269	372	1604	470	22.2	3.4	25.6
CI-NE660-4-05	5	330	1587	465	2006	588	27.8	4.3	32.0
CI-NE660-4-06	6	391	1904	558	2407	705	33.3	5.1	38.4
CI-NE660-4-07	7	452	2221	651	2807	823	38.9	6.0	44.8
CI-NE660-4-08	8	512	2539	744	3209	941	44.4	6.8	51.2
CI-NE660-4-09	9	573	2856	837	3610	1058	50.0	7.7	57.6
CI-NE660-4-10	10	634	3173	930	4011	1176	55.5	8.5	64.0
CI-NE660-4-11	11	695	3490	1023	4411	1293	61.1	9.4	70.4
CI-NE660-4-12	12	756	3808	1116	4813	1411	66.6	10.2	76.8
CI-NE660-4-13	13	816	4125	1209	5214	1528	72.2	11.1	83.2
CI-NE660-4-14	14	877	4442	1302	5615	1646	77.7	11.9	89.6
CI-NE660-4-15	15	938	4760	1395	6017	1763	83.3	12.8	96.0
CI-NE660-4-16	16	999	5077	1488	6417	1881	88.8	13.6	102.4
CI-NE660-4-17	17	1060	5394	1581	6818	1998	94.4	14.5	108.8
CI-NE660-4-18	18	1120	5712	1674	7220	2116	99.9	15.3	115.2
CI-NE660-4-19	19	1181	6029	1767	7621	2234	105.5	16.2	121.6
CI-NE660-4-20	20	1242	6346	1860	8021	2351	111.0	17.0	128.0
CI-NE660-4-21	21	1303	6664	1953	8423	2469	116.6	17.9	134.4
CI-NE660-4-22	22	1364	6981	2046	8824	2586	122.1	18.7	140.8
CI-NE660-4-23	23	1424	7298	2139	9225	2704	127.7	19.6	147.2
CI-NE660-4-24	24	1485	7616	2232	9627	2822	133.2	20.4	153.6
CI-NE660-4-25	25	1546	7933	2325	10027	2939	138.8	21.3	160.0
CI-NE660-4-26	26	1607	8250	2418	10428	3056	144.3	22.1	166.4
CI-NE660-4-27	27	1668	8568	2511	10830	3174	149.9	23.0	172.8
CI-NE660-4-28	28	1728	8885	2604	11231	3292	155.4	23.8	179.2
CI-NE660-4-29	29	1789	9202	2697	11631	3409	161.0	24.7	185.6
CI-NE660-4-30	30	1850	9519	2790	12032	3526	166.5	25.5	192.0
CI-NE660-4-31	31	1911	9837	2883	12434	3644	172.1	26.4	198.4
CI-NE660-4-32	32	1972	10154	2976	12835	3762	177.6	27.2	204.8
CI-NE660-4-33	33	2032	10471	3069	13235	3879	183.2	28.1	211.2
CI-NE660-4-34	34	2093	10789	3162	13637	3997	188.7	28.9	217.6
CI-NE660-4-35	35	2154	11106	3255	14038	4114	194.3	29.8	224.0
CI-NE660-4-36	36	2215	11423	3348	14439	4232	199.8	30.6	230.4
CI-NE660-4-37	37	2276	11741	3441	14841	4350	205.4	31.5	236.8
CI-NE660-4-38	38	2336	12058	3534	15241	4467	210.9	32.3	243.2
CI-NE660-4-39	39	2397	12375	3627	15642	4584	216.5	33.2	249.6
CI-NE660-4-40	40	2458	12693	3720	16044	4702	222.0	34.0	256.0



Lengths quoted are overall including bush ends and are given in good faith. However, due to the nature of the manufacturing process tolerances can and should be expected. Quoted dimensions should therefore only be used as a guideline.