

Georgian 4

760mm High

Specialist UK Manufacturer of Cast Iron Radiators

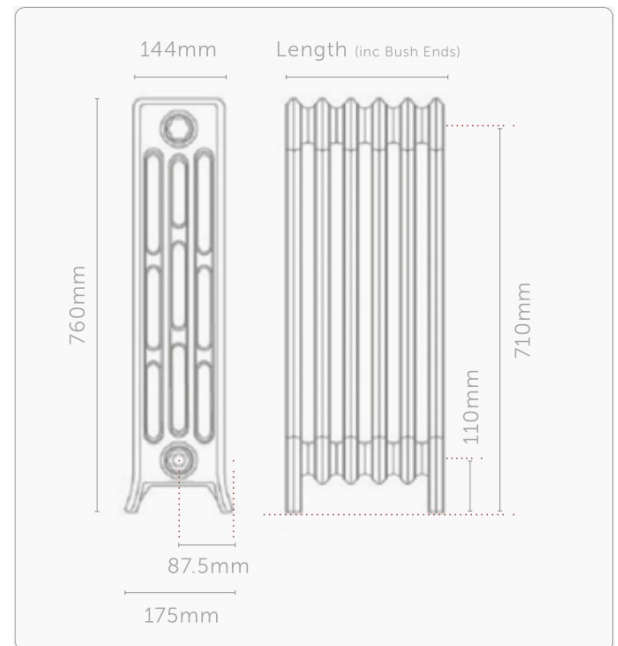
Cast Iron Radiators
4U

Our Georgian 4 column cast iron radiators are a traditional Arts and Crafts design offering a versatile choice of heights ranging from the short 360mm height Georgian radiator to the elegantly tall 960mm high Georgian radiator.

This choice of heights provides plenty of alternatives for low window spaces and attic rooms as well larger taller radiators required for hallways and large reception rooms. These classic Georgian 4 column cast iron radiators are all 175mm in depth and are also available in 360mm, 475mm, 660mm and 960mm High.



Code	Sections	Width (mm)	Heat Output				Dry Weight Kg	Water Content (Litres)	Wet Weight Kg
			At Delta T 50		At Delta T 60				
			BTUs	Watts	BTUs	Watts			
CI-NE760-4-03	3	208	1105	324	1397	409	18.7	2.9	21.6
CI-NE760-4-04	4	269	1474	432	1863	546	24.9	3.9	28.8
CI-NE760-4-05	5	330	1842	540	2328	682	31.1	4.9	36.0
CI-NE760-4-06	6	391	2211	648	2795	819	37.3	5.8	43.1
CI-NE760-4-07	7	452	2579	756	3260	955	43.5	6.8	50.3
CI-NE760-4-08	8	512	2948	864	3726	1092	49.8	7.8	57.5
CI-NE760-4-09	9	573	3316	972	4191	1228	56.0	8.7	64.7
CI-NE760-4-10	10	634	3685	1080	4658	1365	62.2	9.7	71.9
CI-NE760-4-11	11	695	4053	1188	5123	1501	68.4	10.7	79.1
CI-NE760-4-12	12	756	4422	1296	5589	1638	74.6	11.6	86.3
CI-NE760-4-13	13	816	4790	1404	6055	1775	80.9	12.6	93.5
CI-NE760-4-14	14	877	5159	1512	6521	1911	87.1	13.6	100.7
CI-NE760-4-15	15	938	5527	1620	6986	2047	93.3	14.6	107.9
CI-NE760-4-16	16	999	5896	1728	7453	2184	99.5	15.5	115.0
CI-NE760-4-17	17	1060	6264	1836	7918	2321	105.7	16.5	122.2
CI-NE760-4-18	18	1120	6633	1944	8384	2457	112.0	17.5	129.4
CI-NE760-4-19	19	1181	7001	2052	8849	2593	118.2	18.4	136.6
CI-NE760-4-20	20	1242	7370	2160	9316	2730	124.4	19.4	143.8
CI-NE760-4-21	21	1303	7738	2268	9781	2867	130.6	20.4	151.0
CI-NE760-4-22	22	1364	8107	2376	10247	3003	136.8	21.3	158.2
CI-NE760-4-23	23	1424	8475	2484	10712	3140	143.1	22.3	165.4
CI-NE760-4-24	24	1485	8844	2592	11179	3276	149.3	23.3	172.6
CI-NE760-4-25	25	1546	9212	2700	11644	3413	155.5	24.3	179.8
CI-NE760-4-26	26	1607	9581	2808	12110	3549	161.7	25.2	186.9
CI-NE760-4-27	27	1668	9949	2916	12576	3686	167.9	26.2	194.1
CI-NE760-4-28	28	1728	10318	3024	13042	3822	174.2	27.2	201.3
CI-NE760-4-29	29	1789	10686	3132	13507	3959	180.4	28.1	208.5
CI-NE760-4-30	30	1850	11055	3240	13974	4096	186.6	29.1	215.7
CI-NE760-4-31	31	1911	11423	3348	14439	4232	192.8	30.1	222.9
CI-NE760-4-32	32	1972	11792	3456	14905	4368	199.0	31.0	230.1
CI-NE760-4-33	33	2032	12160	3564	15370	4505	205.3	32.0	237.3
CI-NE760-4-34	34	2093	12529	3672	15837	4642	211.5	33.0	244.5
CI-NE760-4-35	35	2154	12897	3780	16302	4778	217.7	34.0	251.7
CI-NE760-4-36	36	2215	13266	3888	16768	4914	223.9	34.9	258.8
CI-NE760-4-37	37	2276	13634	3996	17233	5051	230.1	35.9	266.0
CI-NE760-4-38	38	2336	14003	4104	17700	5188	236.4	36.9	273.2
CI-NE760-4-39	39	2397	14371	4212	18165	5324	242.6	37.8	280.4
CI-NE760-4-40	40	2458	14740	4320	18631	5460	248.8	38.8	287.6



Lengths quoted are overall including bush ends and are given in good faith. However, due to the nature of the manufacturing process tolerances can and should be expected. Quoted dimensions should therefore only be used as a guideline.