

Georgian 4

960mm High

Specialist UK Manufacturer of Cast Iron Radiators

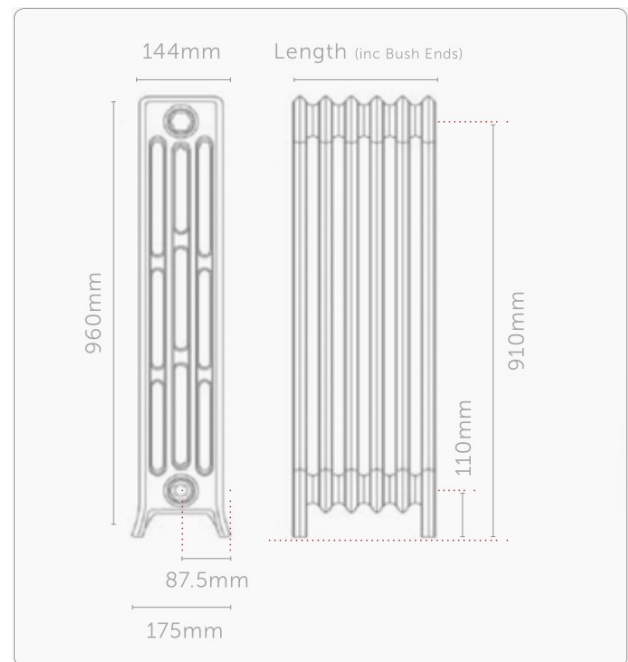
Cast Iron Radiators
4U

Our Georgian 4 column cast iron radiators are a traditional Arts and Crafts design offering a versatile choice of heights ranging from the short 360mm height Georgian radiator to the elegantly tall 960mm high Georgian radiator.

This choice of heights provides plenty of alternatives for low window spaces and attic rooms as well larger taller radiators required for hallways and large reception rooms. These classic Georgian 4 column cast iron radiators are all 175mm in depth and are also available in 360mm, 475mm, 660mm and 760mm High.



Code	Sections	Width (mm)	Heat Output				Dry Weight Kg	Water Content (Litres)	Wet Weight Kg
			At Delta T 50		At Delta T 60				
			BTUs	Watts	BTUs	Watts			
CI-NE960-4-03	3	208	1423	417	1799	527	23.6	3.3	26.9
CI-NE960-4-04	4	269	1897	556	2398	703	31.4	4.4	35.8
CI-NE960-4-05	5	330	2371	695	2997	878	39.3	5.5	44.8
CI-NE960-4-06	6	391	2846	834	3597	1054	47.1	6.6	53.7
CI-NE960-4-07	7	452	3320	973	4196	1230	55.0	7.7	62.7
CI-NE960-4-08	8	512	3794	1112	4796	1406	62.8	8.8	71.6
CI-NE960-4-09	9	573	4268	1251	5395	1581	70.7	9.9	80.6
CI-NE960-4-10	10	634	4743	1390	5995	1757	78.5	11.0	89.5
CI-NE960-4-11	11	695	5217	1529	6594	1933	86.4	12.1	98.5
CI-NE960-4-12	12	756	5691	1668	7193	2108	94.2	13.2	107.4
CI-NE960-4-13	13	816	6165	1807	7793	2284	102.1	14.3	116.4
CI-NE960-4-14	14	877	6640	1946	8393	2460	109.9	15.4	125.3
CI-NE960-4-15	15	938	7114	2085	8992	2635	117.8	16.5	134.3
CI-NE960-4-16	16	999	7588	2224	9591	2811	125.6	17.6	143.2
CI-NE960-4-17	17	1060	8063	2363	10192	2987	133.5	18.7	152.2
CI-NE960-4-18	18	1120	8537	2502	10791	3163	141.3	19.8	161.1
CI-NE960-4-19	19	1181	9011	2641	11390	3338	149.2	20.9	170.1
CI-NE960-4-20	20	1242	9485	2780	11989	3514	157.0	22.0	179.0
CI-NE960-4-21	21	1303	9960	2919	12589	3690	164.9	23.1	188.0
CI-NE960-4-22	22	1364	10434	3058	13189	3865	172.7	24.2	196.9
CI-NE960-4-23	23	1424	10908	3197	13788	4041	180.6	25.3	205.9
CI-NE960-4-24	24	1485	11382	3336	14387	4217	188.4	26.4	214.8
CI-NE960-4-25	25	1546	11857	3475	14987	4392	196.3	27.5	223.8
CI-NE960-4-26	26	1607	12331	3614	15586	4568	204.1	28.6	232.7
CI-NE960-4-27	27	1668	12805	3753	16186	4744	212.0	29.7	241.7
CI-NE960-4-28	28	1728	13280	3892	16786	4920	219.8	30.8	250.6
CI-NE960-4-29	29	1789	13754	4031	17385	5095	227.7	31.9	259.6
CI-NE960-4-30	30	1850	14228	4170	17984	5271	235.5	33.0	268.5
CI-NE960-4-31	31	1911	14702	4309	18583	5446	243.4	34.1	277.5
CI-NE960-4-32	32	1972	15177	4448	19184	5623	251.2	35.2	286.4
CI-NE960-4-33	33	2032	15651	4587	19783	5798	259.1	36.3	295.4
CI-NE960-4-34	34	2093	16125	4726	20382	5974	266.9	37.4	304.3
CI-NE960-4-35	35	2154	16599	4865	20981	6149	274.8	38.5	313.3
CI-NE960-4-36	36	2215	17074	5004	21582	6325	282.6	39.6	322.2
CI-NE960-4-37	37	2276	17548	5143	22181	6501	290.5	40.7	331.2
CI-NE960-4-38	38	2336	18022	5282	22780	6676	298.3	41.8	340.1
CI-NE960-4-39	39	2397	18496	5421	23379	6852	306.2	42.9	349.1
CI-NE960-4-40	40	2458	18971	5560	23979	7028	314.0	44.0	358.0



Lengths quoted are overall including bush ends and are given in good faith. However, due to the nature of the manufacturing process tolerances can and should be expected. Quoted dimensions should therefore only be used as a guideline.

W. www.castironradiators4u.co.uk T. 023 9316 2168 E. st@radiators4u.co.uk