

Georgian 6

485mm High

Specialist UK Manufacturer of Cast Iron Radiators

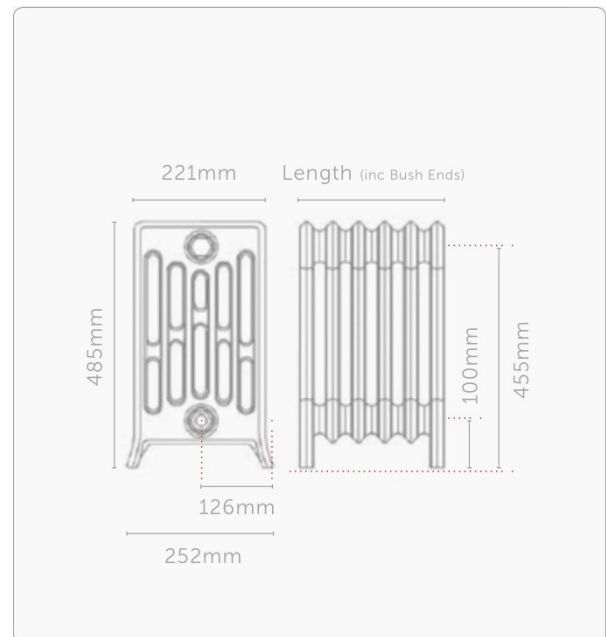
Cast Iron
Radiators
4U

Our Georgian 6 column cast iron radiators are an elegant yet substantial traditional Arts and Crafts design offering the perfect solution to rooms which have limited wall space but require maximum heat output.

The elegantly simple design of these 6 columned radiators offer the option of being perfect for both modern and period homes. These classic Georgian 6 column cast iron radiators are all 252mm in depth and are also available in 660mm and 960mm High.



Code	Sections	Width (mm)	Heat Output				Dry Weight Kg	Water Content (Litres)	Wet Weight Kg
			At Delta T 50		At Delta T 60				
			BTUs	Watts	BTUs	Watts			
CI-NE485-6-03	3	208	972	285	1229	360	25.1	3.6	28.7
CI-NE485-6-04	4	269	1297	380	1639	480	33.4	4.8	38.2
CI-NE485-6-05	5	330	1621	475	2049	601	41.8	6.0	47.8
CI-NE485-6-06	6	391	1945	570	2458	720	50.1	7.2	57.3
CI-NE485-6-07	7	452	2269	665	2868	841	58.5	8.4	66.9
CI-NE485-6-08	8	512	2593	760	3278	961	66.8	9.6	76.4
CI-NE485-6-09	9	573	2917	855	3687	1081	75.2	10.8	86.0
CI-NE485-6-10	10	634	3241	950	4097	1201	83.5	12.0	95.5
CI-NE485-6-11	11	695	3566	1045	4507	1321	91.9	13.2	105.1
CI-NE485-6-12	12	756	3890	1140	4917	1441	100.2	14.4	114.6
CI-NE485-6-13	13	816	4214	1235	5326	1561	108.6	15.6	124.2
CI-NE485-6-14	14	877	4538	1330	5736	1681	116.9	16.8	133.7
CI-NE485-6-15	15	938	4862	1425	6146	1801	125.3	18.0	143.3
CI-NE485-6-16	16	999	5186	1520	6555	1921	133.6	19.2	152.8
CI-NE485-6-17	17	1060	5510	1615	6965	2041	142.0	20.4	162.4
CI-NE485-6-18	18	1120	5835	1710	7375	2161	150.3	21.6	171.9
CI-NE485-6-19	19	1181	6159	1805	7785	2282	158.7	22.8	181.5
CI-NE485-6-20	20	1242	6483	1900	8195	2402	167.0	24.0	191.0
CI-NE485-6-21	21	1303	6807	1995	8604	2522	175.4	25.2	200.6
CI-NE485-6-22	22	1364	7131	2090	9014	2642	183.7	26.4	210.1
CI-NE485-6-23	23	1424	7455	2185	9423	2762	192.1	27.6	219.7
CI-NE485-6-24	24	1485	7779	2280	9833	2882	200.4	28.8	229.2
CI-NE485-6-25	25	1546	8104	2375	10243	3002	208.8	30.0	238.8
CI-NE485-6-26	26	1607	8428	2470	10653	3122	217.1	31.2	248.3
CI-NE485-6-27	27	1668	8752	2565	11063	3242	225.5	32.4	257.9
CI-NE485-6-28	28	1728	9076	2660	11472	3362	233.8	33.6	267.4
CI-NE485-6-29	29	1789	9400	2755	11882	3482	242.2	34.8	277.0
CI-NE485-6-30	30	1850	9724	2850	12291	3602	250.5	36.0	286.5
CI-NE485-6-31	31	1911	10048	2945	12701	3722	258.9	37.2	296.1
CI-NE485-6-32	32	1972	10372	3040	13110	3842	267.2	38.4	305.6
CI-NE485-6-33	33	2032	10697	3135	13521	3963	275.6	39.6	315.2
CI-NE485-6-34	34	2093	11021	3230	13931	4083	283.9	40.8	324.7
CI-NE485-6-35	35	2154	11345	3325	14340	4203	292.3	42.0	334.3
CI-NE485-6-36	36	2215	11669	3420	14750	4323	300.6	43.2	343.8
CI-NE485-6-37	37	2276	11993	3515	15159	4443	309.0	44.4	353.4
CI-NE485-6-38	38	2336	12317	3610	15569	4563	317.3	45.6	362.9
CI-NE485-6-39	39	2397	12641	3705	15978	4683	325.7	46.8	372.5
CI-NE485-6-40	40	2458	12966	3800	16389	4803	334.0	48.0	382.0



Lengths quoted are overall including bush ends and are given in good faith. However, due to the nature of the manufacturing process tolerances can and should be expected. Quoted dimensions should therefore only be used as a guideline.

W. www.castironradiators4u.co.uk T. 023 9316 2168 E. st@radiators4u.co.uk