

# Georgian 6

## 660mm High

Specialist UK Manufacturer of Cast Iron Radiators

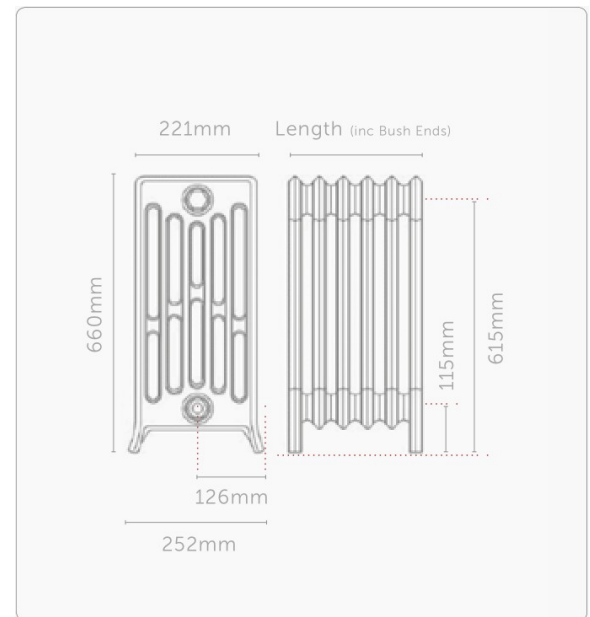
Cast Iron  
Radiators  
4U

Our Georgian 6 column cast iron radiators are an elegant yet substantial traditional Arts and Crafts design offering the perfect solution to rooms which have limited wall space but require maximum heat output.

The elegantly simple design of these 6 columned radiators offer the option of being perfect for both modern and period homes. These classic Georgian 6 column cast iron radiators are all 252mm in depth and is also available in 485mm and 960mm high.



Code	Sections	Width (mm)	Heat Output				Dry Weight Kg	Water Content (Litres)	Wet Weight Kg
			At Delta T 50		At Delta T 60				
			BTUs	Watts	BTUs	Watts			
CI-NE660-6-03	3	208	1361	399	1720	504	28.8	4.2	33.0
CI-NE660-6-04	4	269	1815	532	2294	672	38.4	5.6	44.0
CI-NE660-6-05	5	330	2269	665	2868	841	48.0	7.0	55.0
CI-NE660-6-06	6	391	2723	798	3442	1009	57.5	8.4	65.9
CI-NE660-6-07	7	452	3177	931	4016	1177	67.1	9.8	76.9
CI-NE660-6-08	8	512	3630	1064	4588	1345	76.7	11.2	87.9
CI-NE660-6-09	9	573	4084	1197	5162	1513	86.3	12.6	98.9
CI-NE660-6-10	10	634	4538	1330	5736	1681	95.9	14.0	109.9
CI-NE660-6-11	11	695	4992	1463	6310	1849	105.5	15.4	120.9
CI-NE660-6-12	12	756	5446	1596	6884	2018	115.1	16.8	131.9
CI-NE660-6-13	13	816	5899	1729	7456	2185	124.7	18.2	142.9
CI-NE660-6-14	14	877	6353	1862	8030	2353	134.3	19.6	153.9
CI-NE660-6-15	15	938	6807	1995	8604	2522	143.9	21.0	164.9
CI-NE660-6-16	16	999	7261	2128	9178	2690	153.4	22.4	175.8
CI-NE660-6-17	17	1060	7715	2261	9752	2858	163.0	23.8	186.8
CI-NE660-6-18	18	1120	8168	2394	10324	3026	172.6	25.2	197.8
CI-NE660-6-19	19	1181	8622	2527	10898	3194	182.2	26.6	208.8
CI-NE660-6-20	20	1242	9076	2660	11472	3362	191.8	28.0	219.8
CI-NE660-6-21	21	1303	9530	2793	12046	3530	201.4	29.4	230.8
CI-NE660-6-22	22	1364	9984	2926	12620	3699	211.0	30.8	241.8
CI-NE660-6-23	23	1424	10437	3059	13192	3866	220.6	32.2	252.8
CI-NE660-6-24	24	1485	10891	3192	13766	4035	230.2	33.6	263.8
CI-NE660-6-25	25	1546	11345	3325	14340	4203	239.8	35.0	274.8
CI-NE660-6-26	26	1607	11799	3458	14914	4371	249.3	36.4	285.7
CI-NE660-6-27	27	1668	12252	3591	15487	4539	258.9	37.8	296.7
CI-NE660-6-28	28	1728	12706	3724	16060	4707	268.5	39.2	307.7
CI-NE660-6-29	29	1789	13160	3857	16634	4875	278.1	40.6	318.7
CI-NE660-6-30	30	1850	13614	3990	17208	5043	287.7	42.0	329.7
CI-NE660-6-31	31	1911	14068	4123	17782	5212	297.3	43.4	340.7
CI-NE660-6-32	32	1972	14521	4256	18355	5380	306.9	44.8	351.7
CI-NE660-6-33	33	2032	14975	4389	18928	5547	316.5	46.2	362.7
CI-NE660-6-34	34	2093	15429	4522	19502	5716	326.1	47.6	373.7
CI-NE660-6-35	35	2154	15883	4655	20076	5884	335.7	49.0	384.7
CI-NE660-6-36	36	2215	16337	4788	20650	6052	345.2	50.4	395.6
CI-NE660-6-37	37	2276	16790	4921	21223	6220	354.8	51.8	406.6
CI-NE660-6-38	38	2336	17244	5054	21796	6388	364.4	53.2	417.6
CI-NE660-6-39	39	2397	17698	5187	22370	6556	374.0	54.6	428.6
CI-NE660-6-40	40	2458	18152	5320	22944	6725	383.6	56.0	439.6



Lengths quoted are overall including bush ends and are given in good faith. However, due to the nature of the manufacturing process tolerances can and should be expected. Quoted dimensions should therefore only be used as a guideline.

W. [www.castironradiators4u.co.uk](http://www.castironradiators4u.co.uk) T. 023 9316 2168 E. [st@radiators4u.co.uk](mailto:st@radiators4u.co.uk)