

Georgian 6

960mm High

Specialist UK Manufacturer of Cast Iron Radiators

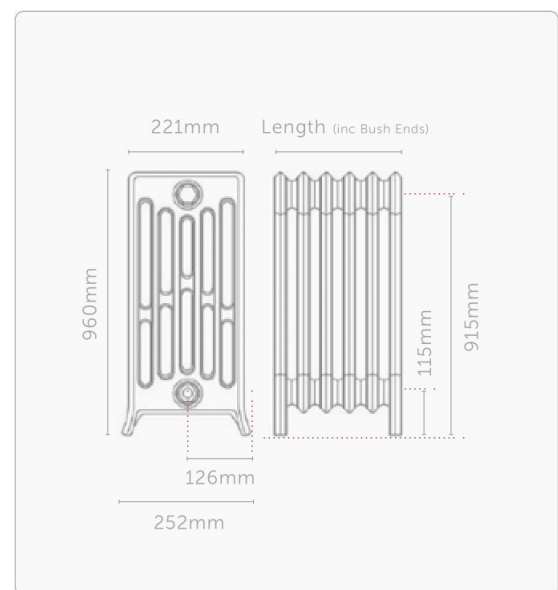


Our Georgian 6 column cast iron radiators are an elegant yet substantial traditional Arts and Crafts design offering the perfect solution to rooms which have limited wall space but require maximum heat output.

The elegantly simple design of these 6 columned radiators offer the option of being perfect for both modern and period homes. These classic Georgian 6 column cast iron radiators are all 252mm in depth and is also available in 485mm and 660mm High.



Code	Sections	Width (mm)	Heat Output				Dry Weight Kg	Water Content (Litres)	Wet Weight Kg
			At Delta T 50		At Delta T 60				
			BTUs	Watts	BTUs	Watts			
CI-NE960-6-03	3	208	2016	591	2548	747	36.8	4.8	41.6
CI-NE960-6-04	4	269	2689	788	3399	996	49.1	6.4	55.5
CI-NE960-6-05	5	330	3361	985	4248	1245	61.4	8.0	69.4
CI-NE960-6-06	6	391	4033	1182	5098	1494	73.7	9.6	83.3
CI-NE960-6-07	7	452	4705	1379	5947	1743	86.0	11.2	97.2
CI-NE960-6-08	8	512	5377	1576	6797	1992	98.2	12.8	111.0
CI-NE960-6-09	9	573	6049	1773	7646	2241	110.5	14.4	124.9
CI-NE960-6-10	10	634	6722	1970	8497	2490	122.8	16.0	138.8
CI-NE960-6-11	11	695	7394	2167	9346	2739	135.1	17.6	152.7
CI-NE960-6-12	12	756	8066	2364	10195	2988	147.4	19.2	166.6
CI-NE960-6-13	13	816	8738	2561	11045	3237	159.6	20.8	180.4
CI-NE960-6-14	14	877	9410	2758	11894	3486	171.9	22.4	194.3
CI-NE960-6-15	15	938	10082	2955	12744	3735	184.2	24.0	208.2
CI-NE960-6-16	16	999	10755	3152	13594	3984	196.5	25.6	222.1
CI-NE960-6-17	17	1060	11427	3349	14444	4233	208.8	27.2	236.0
CI-NE960-6-18	18	1120	12099	3546	15293	4482	221.0	28.8	249.8
CI-NE960-6-19	19	1181	12771	3743	16143	4731	233.3	30.4	263.7
CI-NE960-6-20	20	1242	13443	3940	16992	4980	245.6	32.0	277.6
CI-NE960-6-21	21	1303	14115	4137	17841	5229	257.9	33.6	291.5
CI-NE960-6-22	22	1364	14788	4334	18692	5478	270.2	35.2	305.4
CI-NE960-6-23	23	1424	15460	4531	19541	5727	282.4	36.8	319.2
CI-NE960-6-24	24	1485	16132	4728	20391	5976	294.7	38.4	333.1
CI-NE960-6-25	25	1546	16804	4925	21240	6225	307.0	40.0	347.0
CI-NE960-6-26	26	1607	17476	5122	22090	6474	319.3	41.6	360.9
CI-NE960-6-27	27	1668	18148	5319	22939	6723	331.6	43.2	374.8
CI-NE960-6-28	28	1728	18821	5516	23790	6972	343.8	44.8	388.6
CI-NE960-6-29	29	1789	19493	5713	24639	7221	356.1	46.4	402.5
CI-NE960-6-30	30	1850	20165	5910	25489	7470	368.4	48.0	416.4
CI-NE960-6-31	31	1911	20837	6107	26338	7719	380.7	49.6	430.3
CI-NE960-6-32	32	1972	21509	6304	27187	7968	393.0	51.2	444.2
CI-NE960-6-33	33	2032	22181	6501	28037	8217	405.2	52.8	458.0
CI-NE960-6-34	34	2093	22854	6698	28887	8466	417.5	54.4	471.9
CI-NE960-6-35	35	2154	23526	6895	29737	8715	429.8	56.0	485.8
CI-NE960-6-36	36	2215	24198	7092	30586	8964	442.1	57.6	499.7
CI-NE960-6-37	37	2276	24870	7289	31436	9213	454.4	59.2	513.6
CI-NE960-6-38	38	2336	25542	7486	32285	9462	466.6	60.8	527.4
CI-NE960-6-39	39	2397	26214	7683	33134	9711	478.9	62.4	541.3
CI-NE960-6-40	40	2458	26887	7880	33985	9960	491.2	64.0	555.2



Lengths quoted are overall including bush ends and are given in good faith. However, due to the nature of the manufacturing process tolerances can and should be expected. Quoted dimensions should therefore only be used as a guideline.