

Harcourt Cast Iron

740mm High

Specialist UK Manufacturer of Cast Iron Radiators

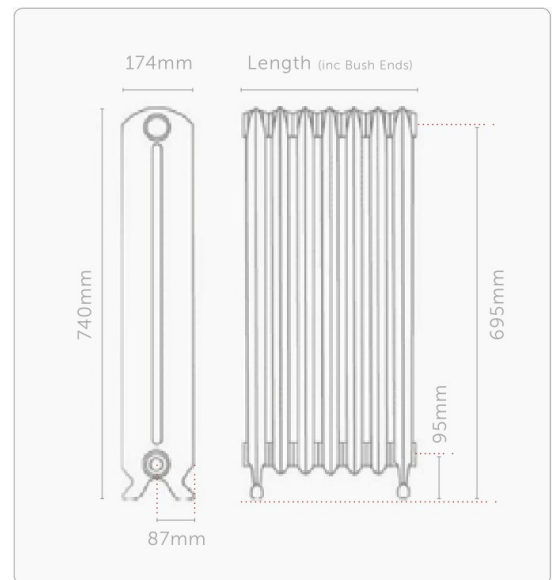


Our Harcourt cast iron radiator is a timeless, plain classic cast iron radiator. Cast Iron Radiators 4u have faithfully recreated this cast iron radiator from an old hospital radiator from the Victorian era. A very handsome and traditional cast iron radiator with simple curvaceous design offering a contemporary feel for the more modern home as well as an authentic smart feel for the period room or barn conversion. A truly versatile and timeless classic.

For the Harcourt cast iron radiator there are many options to custom finish this old hospital radiator and transform the plain sweeping shape into a magnificent stylish feature within a room for your home. The Harcourt cast iron radiator is also available in 570mm High.



Code	Sections	Width (mm)	Heat Output				Dry Weight Kg	Water Content (Litres)	Wet Weight Kg
			At Delta T 50		At Delta T 60				
			BTUs	Watts	BTUs	Watts			
CI-HA740-03	3	249	1677	492	2120	621	29	6.3	35.3
CI-HA740-04	4	320	2236	655	2826	828	38.6	8.4	47
CI-HA740-05	5	392	2795	819	3533	1035	48.3	10.5	58.8
CI-HA740-06	6	463	3354	983	4239	1243	58	12.6	70.6
CI-HA740-07	7	535	3913	1147	4946	1450	67.6	14.7	82.3
CI-HA740-08	8	606	4472	1311	5653	1657	77.3	16.8	94.1
CI-HA740-09	9	678	5031	1475	6359	1864	86.9	18.9	105.8
CI-HA740-10	10	749	5590	1638	7066	2071	96.6	21	117.6
CI-HA740-11	11	821	6149	1802	7772	2278	106.3	23.1	129.4
CI-HA740-12	12	892	6708	1966	8479	2485	115.9	25.2	141.1
CI-HA740-13	13	964	7267	2130	9185	2692	125.6	27.3	152.9
CI-HA740-14	14	1035	7826	2294	9892	2899	135.2	29.4	164.6
CI-HA740-15	15	1107	8385	2458	10599	3106	144.9	31.5	176.4
CI-HA740-16	16	1178	8944	2621	11305	3313	154.6	33.6	188.2
CI-HA740-17	17	1250	9503	2785	12012	3520	164.2	35.7	199.9
CI-HA740-18	18	1321	10062	2949	12718	3728	173.9	37.8	211.7
CI-HA740-19	19	1393	10621	3113	13425	3935	183.5	39.9	223.4
CI-HA740-20	20	1464	11180	3277	14132	4142	193.2	42	235.2
CI-HA740-21	21	1536	11739	3441	14838	4349	202.9	44.1	247
CI-HA740-22	22	1607	12298	3604	15545	4556	212.5	46.2	258.7
CI-HA740-23	23	1679	12857	3768	16251	4763	222.2	48.3	270.5
CI-HA740-24	24	1750	13416	3932	16958	4970	231.8	50.4	282.2
CI-HA740-25	25	1822	13975	4096	17664	5177	241.5	52.5	294
CI-HA740-26	26	1893	14534	4260	18371	5384	251.2	54.6	305.8
CI-HA740-27	27	1965	15093	4424	19078	5591	260.8	56.7	317.5
CI-HA740-28	28	2036	15652	4587	19784	5798	270.5	58.8	329.3
CI-HA740-29	29	2108	16211	4751	20491	6005	280.1	60.9	341
CI-HA740-30	30	2179	16770	4915	21197	6213	289.8	63	352.8



Lengths quoted are overall including bush ends and are given in good faith. However, due to the nature of the manufacturing process tolerances can and should be expected. Quoted dimensions should therefore only be used as a guideline.