

# Minster

## 740mm High

Specialist UK Manufacturer of Cast Iron Radiators



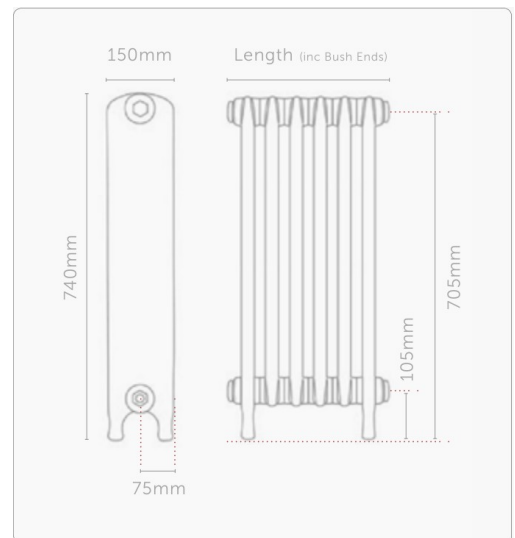
Our Minster cast iron radiator is a traditional Victorian old school cast iron radiator carefully reproduced to be an exact copy of the original, a true classic.

Being so classic yet plain the Minster cast iron radiator lends itself for both contemporary and traditional settings

The Minster is also available in 440mm high.



Code	Sections	Width (mm)	Heat Output				Dry Weight Kg	Water Content (Litres)	Wet Weight Kg
			At Delta T 50		At Delta T 60				
			BTUs	Watts	BTUs	Watts			
CI-MR740-03	3	228	1275	374	1612	473	25.4	5.1	30.5
CI-MR740-04	4	293	1700	498	2149	630	33.9	6.8	40.7
CI-MR740-05	5	358	2125	623	2686	788	42.4	8.5	50.9
CI-MR740-06	6	423	2550	747	3224	945	50.9	10.2	61.1
CI-MR740-07	7	488	2975	872	3761	1103	59.4	11.9	71.3
CI-MR740-08	8	552	3400	996	4298	1261	67.8	13.6	81.4
CI-MR740-09	9	617	3825	1121	4835	1417	76.3	15.3	91.6
CI-MR740-10	10	682	4250	1246	5372	1575	84.8	17	101.8
CI-MR740-11	11	747	4675	1370	5910	1732	93.3	18.7	112
CI-MR740-12	12	812	5100	1495	6447	1890	101.8	20.4	122.2
CI-MR740-13	13	876	5525	1619	6984	2047	110.2	22.1	132.3
CI-MR740-14	14	941	5950	1744	7521	2205	118.7	23.8	142.5
CI-MR740-15	15	1006	6375	1868	8058	2363	127.2	25.5	152.7
CI-MR740-16	16	1071	6800	1993	8596	2520	135.7	27.2	162.9
CI-MR740-17	17	1136	7225	2118	9133	2678	144.2	28.9	173.1
CI-MR740-18	18	1200	7650	2242	9670	2834	152.6	30.6	183.2
CI-MR740-19	19	1265	8075	2367	10207	2992	161.1	32.3	193.4
CI-MR740-20	20	1330	8500	2491	10744	3149	169.6	34	203.6
CI-MR740-21	21	1395	8925	2616	11282	3307	178.1	35.7	213.8
CI-MR740-22	22	1460	9350	2740	11819	3464	186.6	37.4	224
CI-MR740-23	23	1524	9775	2865	12356	3622	195	39.1	234.1
CI-MR740-24	24	1589	10200	2989	12893	3780	203.5	40.8	244.3
CI-MR740-25	25	1654	10625	3114	13430	3937	212	42.5	254.5
CI-MR740-26	26	1719	11050	3239	13968	4095	220.5	44.2	264.7
CI-MR740-27	27	1784	11475	3363	14505	4251	229	45.9	274.9
CI-MR740-28	28	1848	11900	3488	15042	4409	237.4	47.6	285
CI-MR740-29	29	1913	12325	3612	15579	4566	245.9	49.3	295.2
CI-MR740-30	30	1978	12750	3737	16116	4724	254.4	51	305.4



Lengths quoted are overall including bush ends and are given in good faith. However, due to the nature of the manufacturing process tolerances can and should be expected. Quoted dimensions should therefore only be used as a guideline.