

# Rook Cast Iron

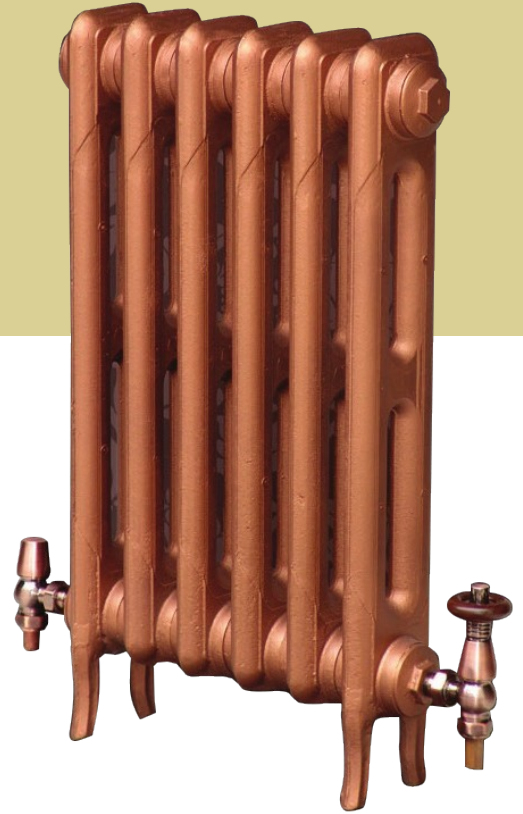
## 660mm High

Specialist UK Manufacturer of Cast Iron Radiators

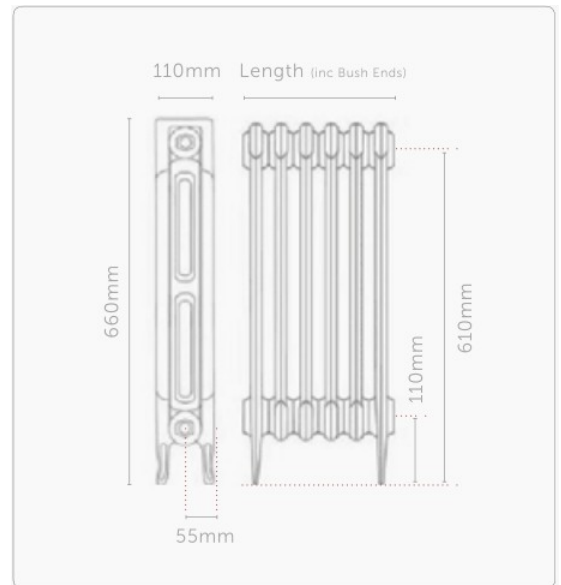


Our Rook cast iron radiator also known as the “Duchess radiator” is a traditional late-Victorian cast iron radiator more widely seen in later Edwardian homes. An elegantly simple design depicting 2 columns yet only 110mm in depth, giving a contemporary feel for the modern room as well as an authentic look for the period home. The perfect choice for the traditional quaint cottage or small traditional room as well as a great option for the modern home where space is at a premium such as the bathroom.

Our Rook cast iron radiator is a 2 column cast iron radiator and is also available in 460mm and 760mm High.



Code	Sections	Width (mm)	Heat Output				Dry Weight Kg	Water Content (Litres)	Wet Weight Kg
			At Delta T 50		At Delta T 60				
			BTUs	Watts	BTUs	Watts			
CI-RK660-03	3	218	963	282	1217	357	13.0	3.0	16.0
CI-RK660-04	4	279	1284	376	1623	476	17.3	4.0	21.3
CI-RK660-05	5	341	1605	470	2029	595	21.6	5.0	26.6
CI-RK660-06	6	402	1926	564	2434	713	25.9	6.0	31.9
CI-RK660-07	7	463	2247	659	2840	832	30.2	7.0	37.2
CI-RK660-08	8	524	2568	753	3246	951	34.6	8.0	42.6
CI-RK660-09	9	586	2889	847	3652	1070	38.9	9.0	47.9
CI-RK660-10	10	647	3210	941	4057	1189	43.2	10.0	53.2
CI-RK660-11	11	708	3531	1035	4463	1308	47.5	11.0	58.5
CI-RK660-12	12	770	3852	1129	4869	1427	51.8	12.0	63.8
CI-RK660-13	13	831	4173	1223	5275	1546	56.2	13.0	69.2
CI-RK660-14	14	892	4494	1317	5680	1665	60.5	14.0	74.5
CI-RK660-15	15	954	4815	1411	6086	1784	64.8	15.0	79.8
CI-RK660-16	16	1015	5136	1505	6492	1903	69.1	16.0	85.1
CI-RK660-17	17	1076	5457	1599	6898	2022	73.4	17.0	90.4
CI-RK660-18	18	1137	5778	1693	7303	2140	77.8	18.0	95.8
CI-RK660-19	19	1199	6099	1788	7709	2259	82.1	19.0	101.1
CI-RK660-20	20	1260	6420	1882	8115	2378	86.4	20.0	106.4
CI-RK660-21	21	1321	6741	1976	8521	2497	90.7	21.0	111.7
CI-RK660-22	22	1383	7062	2070	8926	2616	95.0	22.0	117.0
CI-RK660-23	23	1444	7383	2164	9332	2735	99.4	23.0	122.4
CI-RK660-24	24	1505	7704	2258	9738	2854	103.7	24.0	127.7
CI-RK660-25	25	1567	8025	2352	10144	2973	108.0	25.0	133.0
CI-RK660-26	26	1628	8346	2446	10549	3092	112.3	26.0	138.3
CI-RK660-27	27	1689	8667	2540	10955	3211	116.6	27.0	143.6
CI-RK660-28	28	1750	8988	2634	11361	3330	121.0	28.0	149.0
CI-RK660-29	29	1812	9309	2728	11767	3449	125.3	29.0	154.3
CI-RK660-30	30	1873	9630	2822	12172	3567	129.6	30.0	159.6
CI-RK660-31	31	1934	9951	2916	12578	3686	133.9	31.0	164.9
CI-RK660-32	32	1996	10272	3011	12984	3805	138.2	32.0	170.2
CI-RK660-33	33	2057	10593	3105	13390	3924	142.6	33.0	175.6
CI-RK660-34	34	2118	10914	3199	13795	4043	146.9	34.0	180.9
CI-RK660-35	35	2180	11235	3293	14201	4162	151.2	35.0	186.2
CI-RK660-36	36	2241	11556	3387	14607	4281	155.5	36.0	191.5
CI-RK660-37	37	2302	11877	3481	15013	4400	159.8	37.0	196.8
CI-RK660-38	38	2363	12198	3575	15418	4519	164.2	38.0	202.2
CI-RK660-39	39	2425	12519	3669	15824	4638	168.5	39.0	207.5
CI-RK660-40	40	2486	12840	3763	16230	4757	172.8	40.0	212.8



Lengths quoted are overall including bush ends and are given in good faith. However, due to the nature of the manufacturing process tolerances can and should be expected. Quoted dimensions should therefore only be used as a guideline.