

Rosedale Cast Iron

800mm High

Specialist UK Manufacturer of Cast Iron Radiators

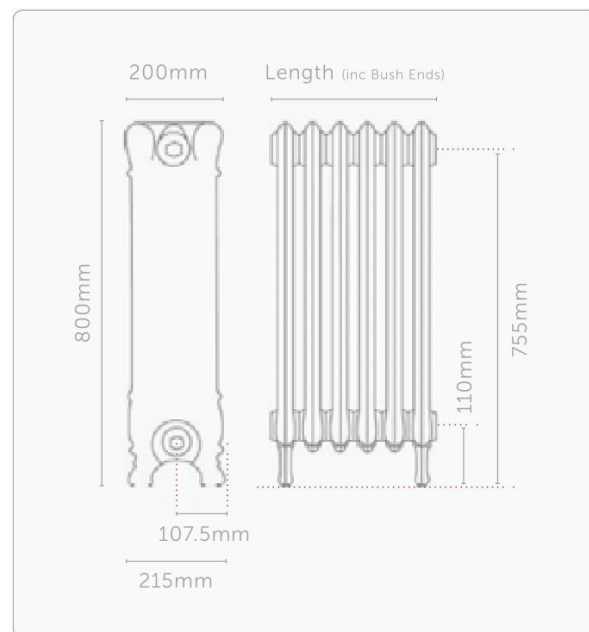
Cast Iron
Radiators
4U

Our Rosedale cast iron radiator is a truly remarkable radiator combining cherubs, dragons and lions intertwined together with vines. The Rosedale radiator was originally manufactured in 1842 by the American Radiator Company and was described by them in their sales catalogue of 1897 as “a work of art in iron”. The Rosedale cast iron radiator is the perfect choice for a dramatic centrepiece in any room setting. A magnificent cast iron radiator particularly eye-catching in large room spaces where heat efficiency is required yet beauty is paramount.

The Rosedale cast iron radiator comes to life when choosing the antiqued or highlight paint effects or indeed when hand polished. The cherubs and dragons dance on the surface with vibrance.



Code	Sections	Width (mm)	Heat Output				Dry Weight Kg	Water Content (Litres)	Wet Weight Kg
			At Delta T 50		At Delta T 60				
			BTUs	Watts	BTUs	Watts			
CI-RD800-03	3	217	1578	462	1995	585	42.7	5.3	48
CI-RD800-04	4	279	2104	617	2659	779	56.9	7	63.9
CI-RD800-05	5	340	2630	771	3324	974	71.1	8.8	79.9
CI-RD800-06	6	401	3156	925	3989	1169	85.3	10.5	95.8
CI-RD800-07	7	462	3682	1079	4654	1364	99.5	12.3	111.8
CI-RD800-08	8	523	4208	1233	5319	1559	113.8	14	127.8
CI-RD800-09	9	584	4734	1387	5984	1754	128	15.8	143.8
CI-RD800-10	10	646	5260	1542	6649	1949	142.2	17.5	159.7
CI-RD800-11	11	707	5786	1696	7314	2143	156.4	19.3	175.7
CI-RD800-12	12	768	6312	1850	7978	2338	170.6	21	191.6
CI-RD800-13	13	829	6838	2004	8643	2533	184.9	22.8	207.7
CI-RD800-14	14	890	7364	2158	9308	2728	199.1	24.5	223.6
CI-RD800-15	15	951	7890	2312	9973	2923	213.3	26.3	239.6
CI-RD800-16	16	1012	8416	2466	10638	3118	227.5	28	255.5
CI-RD800-17	17	1074	8942	2621	11303	3313	241.7	29.8	271.5
CI-RD800-18	18	1135	9468	2775	11968	3507	256	31.5	287.5
CI-RD800-19	19	1196	9994	2929	12632	3702	270.2	33.3	303.5
CI-RD800-20	20	1257	10520	3083	13297	3897	284.4	36	320.4
CI-RD800-21	21	1318	11046	3237	13962	4092	298.6	36.8	335.4
CI-RD800-22	22	1379	11572	3391	14627	4287	312.8	38.5	351.3
CI-RD800-23	23	1440	12098	3545	15292	4482	327.1	40.3	367.4
CI-RD800-24	24	1502	12624	3700	15957	4677	341.3	42	383.3
CI-RD800-25	25	1563	13150	3854	16622	4872	355.5	43.8	399.3
CI-RD800-26	26	1624	13676	4008	17286	5066	369.7	45.5	415.2
CI-RD800-27	27	1685	14202	4162	17951	5261	383.9	47.3	431.2
CI-RD800-28	28	1746	14728	4316	18616	5456	398.2	49	447.2
CI-RD800-29	29	1807	15254	4470	19281	5651	412.4	50.8	463.2
CI-RD800-30	30	1869	15780	4625	19946	5846	426.6	52.5	479.1



Lengths quoted are overall including bush ends and are given in good faith. However, due to the nature of the manufacturing process tolerances can and should be expected. Quoted dimensions should therefore only be used as a guideline.

W. www.castironradiators4u.co.uk T. 023 9316 2168 E. st@radiators4u.co.uk