

Shelbourne 3 Cast Iron Radiators

645mm High

Specialist UK Manufacturer of Cast Iron Radiators

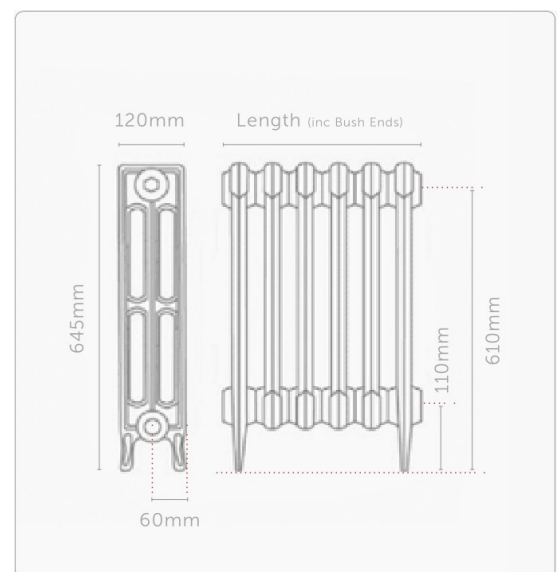
Cast Iron Radiators
4U

Our beautiful range of Shelbourne 3 column cast iron radiators were originally designed for maximum heat efficiency and versatility of use, ideal for both large and small rooms, befitting every decor with its simple classic lines.

At only 120mm in depth the 3 column Shelbourne is a perfect choice for those rooms where space is at a premium yet style is paramount. This classic Shelbourne 3 column cast iron radiator is also available in 450mm and 745mm High.



Code	Sections	Width (mm)	Heat Output				Dry Weight Kg	Water Content (Litres)	Wet Weight Kg
			At Delta T 50		At Delta T 60				
			BTUs	Watts	BTUs	Watts			
CI-SH645-03	3	215	1095	321	1384	406	14.0	2.9	16.8
CI-SH645-04	4	276	1460	428	1845	541	18.6	3.8	22.4
CI-SH645-05	5	336	1825	535	2307	676	23.3	4.8	28.1
CI-SH645-06	6	396	2190	642	2768	811	28.0	5.7	33.7
CI-SH645-07	7	457	2555	749	3230	947	32.6	6.7	39.3
CI-SH645-08	8	517	2920	856	3691	1082	37.3	7.6	44.9
CI-SH645-09	9	578	3285	963	4152	1217	41.9	8.6	50.5
CI-SH645-10	10	638	3650	1070	4614	1352	46.6	9.5	56.1
CI-SH645-11	11	698	4015	1177	5075	1487	51.3	10.5	61.7
CI-SH645-12	12	759	4380	1284	5536	1623	55.9	11.4	67.3
CI-SH645-13	13	819	4745	1391	5998	1758	60.6	12.4	72.9
CI-SH645-14	14	880	5110	1498	6459	1893	65.2	13.3	78.5
CI-SH645-15	15	940	5475	1605	6920	2028	69.9	14.3	84.2
CI-SH645-16	16	1000	5840	1712	7382	2164	74.6	15.2	89.8
CI-SH645-17	17	1061	6205	1819	7843	2299	79.2	16.2	95.4
CI-SH645-18	18	1121	6570	1926	8304	2434	83.9	17.1	101.0
CI-SH645-19	19	1182	6935	2033	8766	2569	88.5	18.1	106.6
CI-SH645-20	20	1242	7300	2140	9227	2704	93.2	19.0	112.2
CI-SH645-21	21	1302	7665	2246	9689	2840	97.9	20.0	117.8
CI-SH645-22	22	1363	8030	2353	10150	2975	102.5	20.9	123.4
CI-SH645-23	23	1423	8395	2460	10611	3110	107.2	21.9	129.0
CI-SH645-24	24	1484	8760	2567	11073	3245	111.8	22.8	134.6
CI-SH645-25	25	1544	9125	2674	11534	3380	116.5	23.8	140.3
CI-SH645-26	26	1604	9490	2781	11995	3516	121.2	24.7	145.9
CI-SH645-27	27	1665	9855	2888	12457	3651	125.8	25.7	151.5
CI-SH645-28	28	1725	10220	2995	12918	3786	130.5	26.6	157.1
CI-SH645-29	29	1786	10585	3102	13379	3921	135.1	27.6	162.7
CI-SH645-30	30	1846	10950	3209	13841	4057	139.8	28.5	168.3
CI-SH645-31	31	1906	11315	3316	14302	4192	144.5	29.5	173.9
CI-SH645-32	32	1967	11680	3423	14764	4327	149.1	30.4	179.5
CI-SH645-33	33	2027	12045	3530	15225	4462	153.8	31.4	185.1
CI-SH645-34	34	2088	12410	3637	15686	4597	158.4	32.3	190.7
CI-SH645-35	35	2148	12775	3744	16148	4733	163.1	33.3	196.4
CI-SH645-36	36	2208	13140	3851	16609	4868	167.8	34.2	202.0
CI-SH645-37	37	2269	13505	3958	17070	5003	172.4	35.2	207.6
CI-SH645-38	38	2329	13870	4065	17532	5138	177.1	36.1	213.2
CI-SH645-39	39	2390	14235	4172	17993	5273	181.7	37.1	218.8
CI-SH645-40	40	2450	14600	4279	18454	5409	186.4	38.0	224.4



Lengths quoted are overall including bush ends and are given in good faith. However, due to the nature of the manufacturing process tolerances can and should be expected. Quoted dimensions should therefore only be used as a guideline.