

# Stanton Cast Iron

## 450mm High

Specialist UK Manufacturer of Cast Iron Radiators

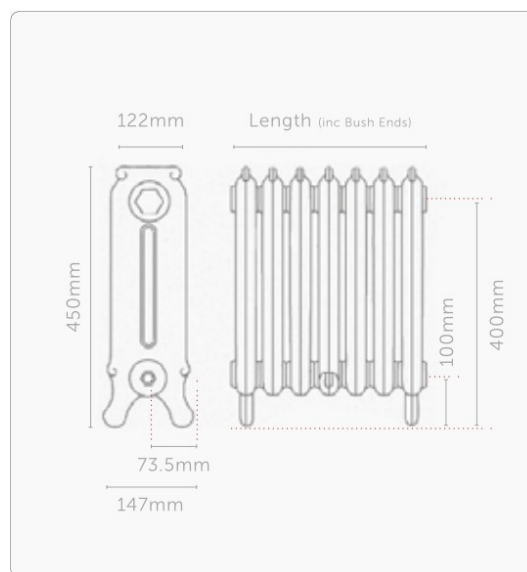


The Stanton cast iron radiator design was first produced in America in the 1880s and was later manufactured in Britain under the brand name "Ideal". The Stanton cast iron radiator design is widely known, due to its finely-etched detail, as the curly-eared princess.

The Stanton or eared princess radiator has a wonderfully fine-etched detail along its edge and a curled detail crowning its top. Beautifully elegant, the Stanton cast iron radiator was installed in both public and privately owned buildings during the late Victorian era. The simple handsome design of the Stanton cast iron radiator provides a contemporary look for the more modern setting as well as an authentic look for the period home. The Stanton cast iron radiator is also available in 750mm high.



Code	Sections	Width (mm)	Heat Output				Dry Weight Kg	Water Content (Litres)	Wet Weight Kg
			At Delta T 50		At Delta T 60				
			BTUs	Watts	BTUs	Watts			
CI-ST450-03	3	267	684	201	865	254	14.3	3	17.3
CI-ST450-04	4	344	912	267	1153	338	19	4	23
CI-ST450-05	5	422	1140	334	1441	422	23.8	5	28.8
CI-ST450-06	6	500	1368	401	1730	507	28.6	6	34.6
CI-ST450-07	7	577	1596	468	2018	591	33.3	7	40.3
CI-ST450-08	8	655	1824	535	2306	676	38.1	8	46.1
CI-ST450-09	9	732	2052	602	2594	760	42.8	9	51.8
CI-ST450-10	10	810	2280	668	2882	845	47.6	10	57.6
CI-ST450-11	11	888	2508	735	3171	929	52.4	11	63.4
CI-ST450-12	12	965	2736	802	3459	1014	57.1	12	69.1
CI-ST450-13	13	1043	2964	869	3747	1098	61.9	13	74.9
CI-ST450-14	14	1120	3192	936	4035	1183	66.6	14	80.6
CI-ST450-15	15	1198	3420	1003	4323	1267	71.4	15	86.4
CI-ST450-16	16	1276	3648	1069	4612	1352	76.2	16	92.2
CI-ST450-17	17	1353	3876	1136	4900	1436	80.9	17	97.9
CI-ST450-18	18	1431	4104	1203	5188	1521	85.7	18	103.7
CI-ST450-19	19	1508	4332	1270	5476	1605	90.4	19	109.4
CI-ST450-20	20	1586	4560	1337	5764	1689	95.2	20	115.2
CI-ST450-21	21	1664	4788	1404	6053	1774	100	21	121
CI-ST450-22	22	1741	5016	1470	6341	1858	104.7	22	126.7
CI-ST450-23	23	1819	5244	1537	6629	1943	109.5	23	132.5
CI-ST450-24	24	1896	5472	1604	6917	2027	114.2	24	138.2
CI-ST450-25	25	1974	5700	1671	7205	2112	119	25	144
CI-ST450-26	26	2052	5928	1738	7493	2196	123.8	26	149.8
CI-ST450-27	27	2129	6156	1805	7782	2281	128.5	27	155.5
CI-ST450-28	28	2207	6384	1871	8070	2365	133.3	28	161.3
CI-ST450-29	29	2284	6612	1938	8358	2450	138	29	167
CI-ST450-30	30	2362	6840	2005	8646	2534	142.8	30	172.8



Lengths quoted are overall including bush ends and are given in good faith. However, due to the nature of the manufacturing process tolerances can and should be expected. Quoted dimensions should therefore only be used as a guideline.