

# Stanton Cast Iron

## 750mm High

Specialist UK Manufacturer of Cast Iron Radiators

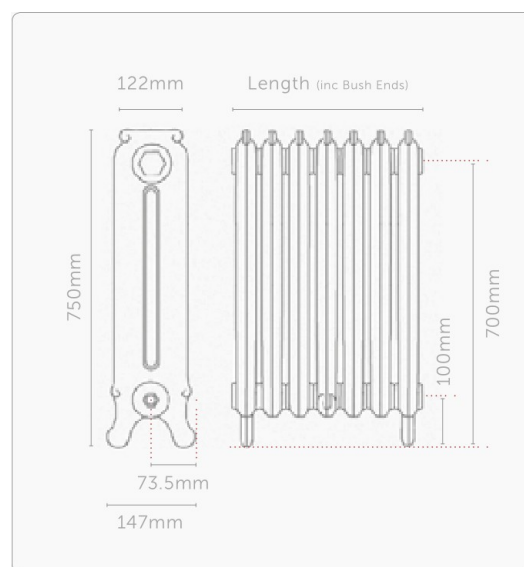


The Stanton cast iron radiator design was first produced in America in the 1880s and was later manufactured in Britain under the brand name "Ideal". The Stanton cast iron radiator design is widely known, due to its finely-etched detail, as the curly-eared princess.

The Stanton or curly eared princess radiator has a wonderfully fine-etched detail along its edge and a curled detail crowning its top. Beautifully elegant, the Stanton cast iron radiator was installed in both public and privately owned buildings during the late Victorian era. The simple handsome design of the Stanton cast iron radiator provides a contemporary look for the more modern setting as well as an authentic look for the period home. The Stanton cast iron radiator is also available in 450mm high.



Code	Sections	Width (mm)	Heat Output				Dry Weight Kg	Water Content (Litres)	Wet Weight Kg
			At Delta T 50		At Delta T 60				
			BTUs	Watts	BTUs	Watts			
CI-ST750-03	3	264	1005	295	1271	373	28.1	5.1	33.2
CI-ST750-04	4	340	1340	393	1694	497	37.4	6.8	44.2
CI-ST750-05	5	417	1675	491	2118	621	46.8	8.5	55.3
CI-ST750-06	6	494	2010	589	2541	745	56.2	10.2	66.4
CI-ST750-07	7	570	2345	687	2965	869	65.5	11.9	77.4
CI-ST750-08	8	647	2680	785	3388	993	74.9	13.6	88.5
CI-ST750-09	9	723	3015	884	3811	1118	84.2	15.3	99.5
CI-ST750-10	10	800	3350	982	4235	1242	93.6	17	110.6
CI-ST750-11	11	877	3685	1080	4658	1366	103	18.7	121.7
CI-ST750-12	12	953	4020	1178	5082	1489	112.3	20.4	132.7
CI-ST750-13	13	1030	4355	1276	5505	1613	121.7	22.1	143.8
CI-ST750-14	14	1106	4690	1374	5929	1737	131	23.8	154.8
CI-ST750-15	15	1183	5025	1473	6352	1862	140.4	25.5	165.9
CI-ST750-16	16	1260	5360	1571	6776	1986	149.8	27.2	177
CI-ST750-17	17	1336	5695	1669	7199	2110	159.1	28.9	188
CI-ST750-18	18	1413	6030	1767	7622	2234	168.5	30.6	199.1
CI-ST750-19	19	1489	6365	1865	8046	2358	177.8	32.3	210.1
CI-ST750-20	20	1566	6700	1963	8469	2482	187.2	34	221.2
CI-ST750-21	21	1643	7035	2062	8893	2607	196.6	35.7	232.3
CI-ST750-22	22	1719	7370	2160	9316	2731	205.9	37.4	243.3
CI-ST750-23	23	1796	7705	2258	9740	2855	215.3	39.1	254.4
CI-ST750-24	24	1872	8040	2356	10163	2978	224.6	40.8	265.4
CI-ST750-25	25	1949	8375	2454	10586	3102	234	42.5	276.5
CI-ST750-26	26	2026	8710	2552	11010	3226	243.4	44.2	287.6
CI-ST750-27	27	2102	9045	2651	11433	3351	252.7	45.9	298.6
CI-ST750-28	28	2179	9380	2749	11857	3475	262.1	47.6	309.7
CI-ST750-29	29	2255	9715	2847	12280	3599	271.4	49.3	320.7
CI-ST750-30	30	2332	10050	2945	12704	3723	280.8	51	331.8



Lengths quoted are overall including bush ends and are given in good faith. However, due to the nature of the manufacturing process tolerances can and should be expected. Quoted dimensions should therefore only be used as a guideline.